

IF9335

ABDUCTOR

OWNER'S MANUAL

19V

CAUTION! Read all precautions and instructions in this manual before using this equipment.

Table Of Contents

CAUTION!

Read all precautions and instructions in this manual before using this equipment.

Important Safety Instructions-----	3
Instructions-----	5
Exploded View and Parts List-----	6
Measurement Guide-----	14
Assembly Instructions-----	15
Assembly-----	16
Adjust Instructions and Exercise Instructions-----	27
Maintenance Schedule-----	28
General Maintenance Information-----	29
Weight Training Tips-----	30

Please assemble according to the actual **Weights** you buy !

Important Safety Instructions

Before beginning any fitness program, you should obtain a complete physical examination from your physician. When using exercise equipment, basic precautions should always be taken, including the following:

1. Read all instructions before using the equipment.
These instructions are written to ensure your safety and to protect the unit.
2. Use the equipment only for its intended purpose as described in this guide.
Do not use accessory attachments that are not recommended by the manufacturer: such attachments might cause injuries.
3. The product should only be used on a level surface and is with 0.6 meters space around the product.
Do not use the equipment outdoors.
4. Do not allow children on or near the equipment. And children are not allowed to use this equipment.
Teenagers should use this equipment with adult supervision.
5. Do not overexert yourself or work to exhaustion.
Do not attempt to lift more weight than you can control safely.
If you feel any pain or abnormal symptoms, stop your workout immediately and consult your physician.
6. This equipment is not used as medical apparatus and instruments.
7. Never operate the unit when it has been dropped or damaged.
Never drop or insert anything into any opening in the equipment.
Always check the unit and its cables before each use. Make sure that all fasteners and cables are secure and in good working condition.
Frayed or worn cables can be dangerous and may cause injury. Periodically check these cables for any indication of wear.
Keep hands, limbs, loose clothing and long hair well out of the way of moving parts.
8. Be careful when getting on or off the equipment.
9. Wear proper exercise clothing and shoes for your workout, no loose clothing.

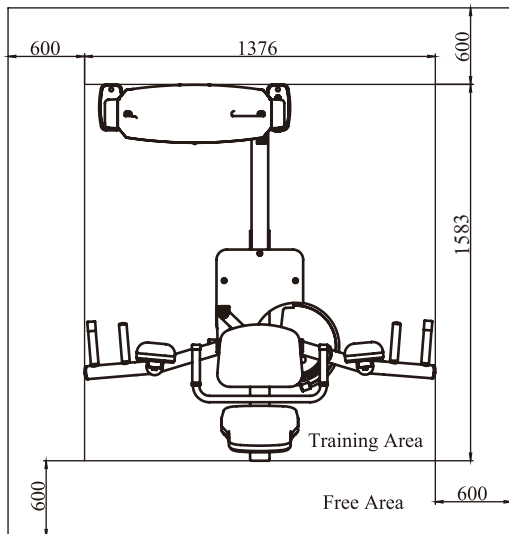
Important Safety Instructions

Personal Safety During Assembly

Read each step in the assembly instructions and follow the steps in sequence. Do not skip ahead. If you skip ahead, you may learn later that you have to disassemble components and that you may have damaged the equipment.

Assemble and operate the equipment on a solid, level surface. Locate the unit a few feet from walls or furniture to provide easy access. The equipment is designed for your enjoyment. By following these precautions and using common sense, you will have many safe and pleasurable hours of healthful exercise with the equipment.

Training Area and Free Area



Specifications

Class: S

Maximum Wt. Capacity: 134kg/ 295lbs

Maximum User Weight: 150kg/ 330lbs

Product Dimension: 946*1583*1530mm

Product Total Surface: 1376*1583mm

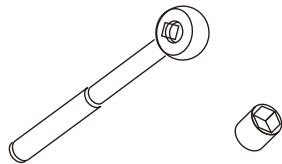
Product Total Mass: 96kg/ 212lbs

Instructions

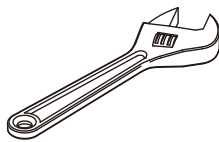
Before beginning assembly please take the time to read instructions thoroughly. Please use the various lists in this manual to make sure that all parts have been included in your shipment. When ordering, use part number and description from the lists. Use only our replacement part when servicing. Failure to do so will void your warranty and could result in personal injury.

The equipment is designed to provide the smoothest, most effective exercise motion possible. After assembly, you should check all functions to ensure correct operation. If you experience problems, first recheck the assembly instructions to locate any possible errors made during assembly. If you are unable to correct the problem, call your authorized dealer. Be sure to have your serial number and this manual when calling. When all parts have been accounted for, continue on.

Tools Required



Ratchet Wrench and Socket



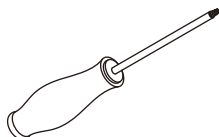
Adjustable Wrench



Rubber Mallet



Hex Key Wrench Set



Phillips Screwdriver

Exploded View and Parts List

Overall

ItemNo.	Grade No.	Part No.	Description	QTY
1	1	IF933501ASSY	Weight Stack Frame ASSY	1
2	2	IF933502ASSY	Floorstand ASSY	1
3	3	IF933503ASSY	Seat Pad Frame ASSY	1
4	4	IF933504ASSY	Bottom bracket Frame ASSY	1
5	5	IF933505ASSY	Right Leg Frame ASSY	1
6	6	IF933506ASSY	Left Leg Frame ASSY	1
7	7	IF933507ASSY	Wheel Frame-A ASSY	1
8	8	IF933508ASSY	Connect Frame ASSY	1
9	9	IF933509ASSY	Seat Cushion Support Frame ASSY	1
10	10	IF93352000	Cover Plate-A	1
11	11	IF93352200	Roller	2
12	12	IF93355100	Leg Pad	2
13	13	IF93355600	Cable ASSY	1
14	14	PL90161400V2	Seat Pad	1
15	15	IF93055100	Back Pad	1
16	16	IF93012100	Top Bracket	2
17	17	IF930122ASSY	Bottom Bracket ASSY	1
18	18	IF93013100	Training Placard Cover	1
19	19	IF93013200	Top Cover	1
20	20	IF93013300	Right Plug	1
21	21	IF93013400	Left Plug	1
22	22	IT95014200	Top Plate	1
23	23	IT95014400	Guide Rod Φ 19*1242	2
24	24	IT95015500	Top Rear Shroud	1
25	25	IT95015600	Rear Shroud	1
26	26	SG500110400V5	4.5" Pulley (Spacer)	3
27	27	IT95057800	4.5" Pulley	1
28	28	M02701000	Plug	2

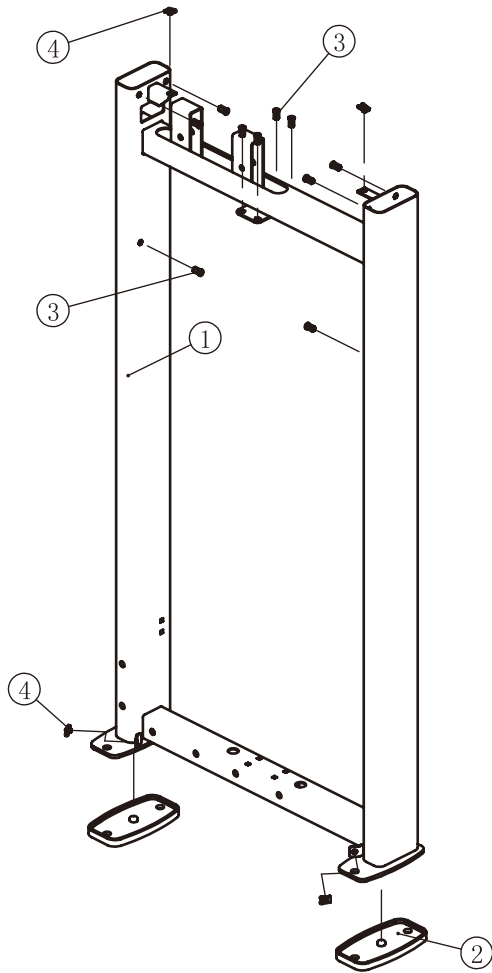
Exploded View and Parts List

Overall

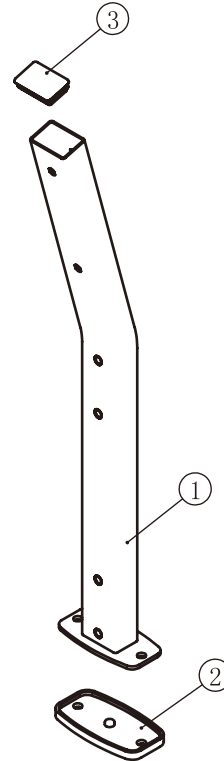
ItemNo.	Grade No.	Part No.	Description	QTY
29	29	IT80083500	SPACER $\Phi 32 * \Phi 26 * 5$	4
30	30	XL2-17001900	SPACER $\Phi 35 * \Phi 25.4 * 16.7$	1
31	31	FE97122100	SPACER $\Phi 22 * 17.5 * 7.5$	1
32	32	IT80023000	Weight Rubber Bumper	2
33	33	IT90012000V1	Selector Pin W/Coil	1
34	34	IT95016100	Guide Rod Fixing Sleeve $\Phi 25 * \Phi 19 * 45$	2
35	35	HFOPT900-04A0602	Spring $\Phi 15.5 * \Phi 1.5 * 36$	2
36	36	GB5780M10*75DS20	Hex Head Bolt M10*75	10
37	37	GB5780M10*50DS20	Hex Head Bolt M10*50	7
38	38	GB818M6*20*20N19	Button Head Cap Screw M6*20	18
39	39	GB818M6*10N19	Button Head Cap Screw M6*10	4
40	40	GB9510DS2	Flat Washer $\Phi 11 * \Phi 20 * 2$	38
41	41	NM10DS2	Nylon Lock Nut M10	13
42	42	GB5780M10*135DS20	Hex Head Bolt M10*135	2
43	43	GB9512DS2	Flat Washer $\Phi 13 * \Phi 24 * 2.5$	2
44	44	GB5781M10*25DS20	Hex Head Bolt M10*25	2
45	45	GB70BTM10*20DN18NL	Socket Head Cap Screw M10*20	1
46	46	GB77M8*10DS18NL	Socket Set Screw M8*10	4
47	47	GB9310DS12	Spring Washer $\Phi 10$	4
48	48	GB5780M10*80DS20	Hex Head Bolt M10*80	4
49	49	HFOPT900-04A1400	Cap $\Phi 25.4 * 9.7 * 3/4$ "-16	1
50	50	V22500	Plug	1
51	51	HDQ10DN2	Curved Washer $\Phi 11 * \Phi 21 * 1.5$	2
52	52	GB70BTM10*30DN18NL	Socket Head Cap Screw M10*30	2
53	53	NM12DS2	Nylon Lock Nut M12	2
54	54	DQ10N19	Flat Washer $\Phi 11 * \Phi 20 * 1.5$	1
55	55	CNLM8*15DS20NL	Flat Head Cap Screw M8*15	4

Exploded View and Parts List

Weight Stack Frame ASSY



Floorstand ASSY



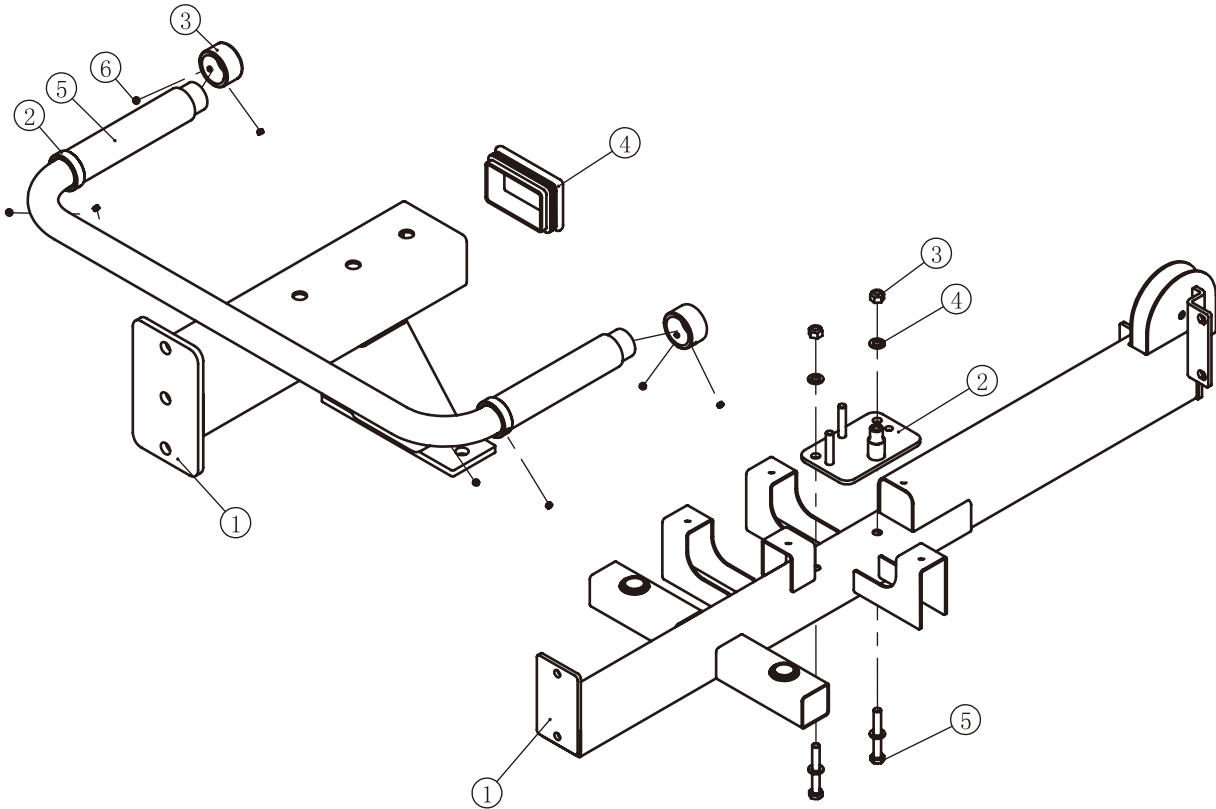
ItemNo.	Grade No.	Part No.	Description	QTY
1	1.1	IF93350100	Weight Stack Frame	1
2	1.2	BS81223100	Foot Plate	2
3	1.3	GB17880.5M6*16.5DS17	Rivet Nut M6	12
4	1.4	AC32705800	U-nut M6	4

ItemNo.	Grade No.	Part No.	Description	QTY
1	2.1	IF93350200	Wheel Frame	1
2	2.2	BS81223100	Foot Plate	1
3	2.3	KPSFID2800	Plug □50.8*76.2	1

Exploded View and Parts List

Seat Pad Frame ASSY

Bottom Bracket Frame ASSY

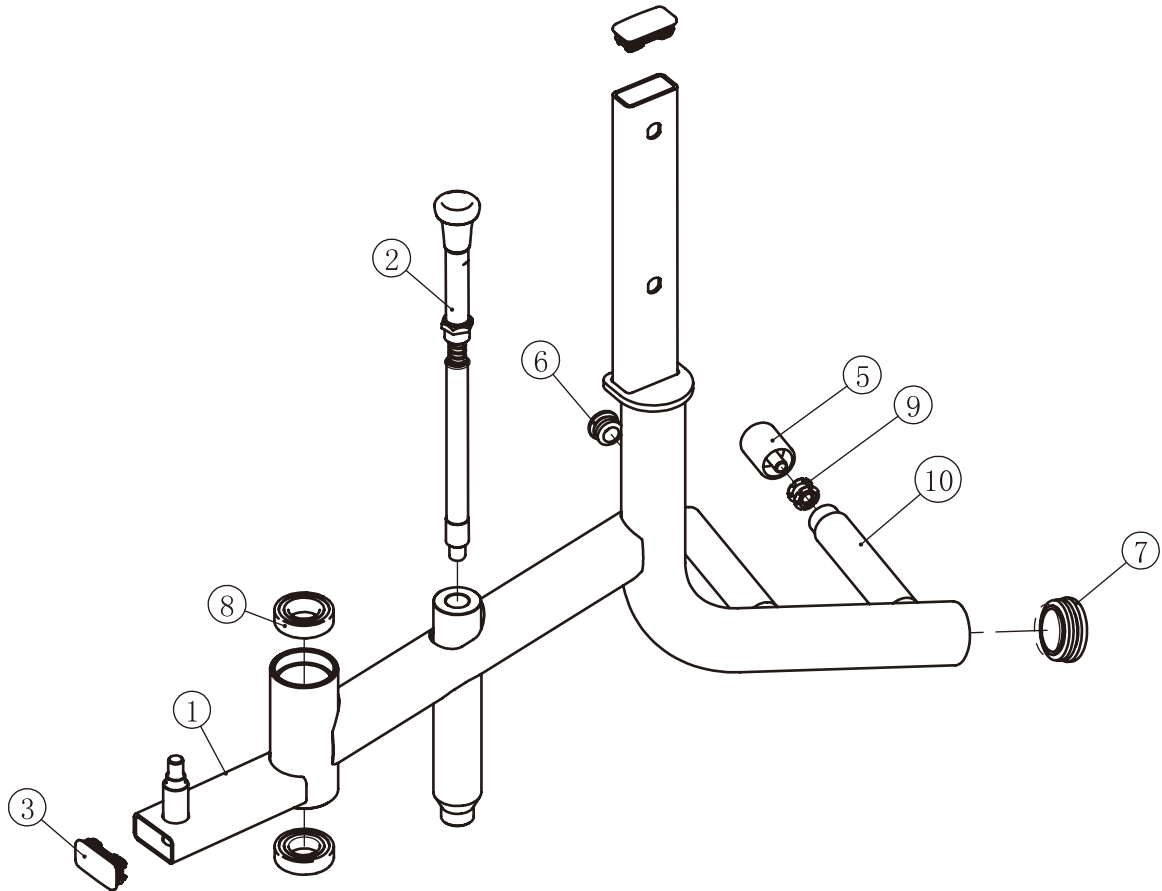


ItemNo.	Grade No.	Part No.	Description	QTY
1	3.1	IF93350300	Seat Pad Frame	1
2	3.2	V39500	Aluminium Grip Ring $\Phi 25.4$	2
3	3.3	V39600	Aluminium Grip Cap $\Phi 25.4$	2
4	3.4	KPSFID2800	Plug $\square 50.8 \times 76.2$	1
5	3.5	026-01PL0206-12	Grip ST $\Phi 30 \times \Phi 22 \times 130$	2
6	3.6	YZGB7710-32*3.2N19	Socket Set Screw 10-32*3.2	8

ItemNo.	Grade No.	Part No.	Description	QTY
1	4.1	IF93350400	Bottom bracket Frame	1
2	4.2	IF93351500	Pully Fixed Frame	1
3	4.3	NM10DS2	Nylon Lock Nut M10	2
4	4.4	GB9510DS2	Flat Washer $\Phi 11 \times \Phi 20 \times 2$	4
5	4.5	GB5780M10*75DS20	Hex Head Bolt M10*75	2

Exploded View and Parts List

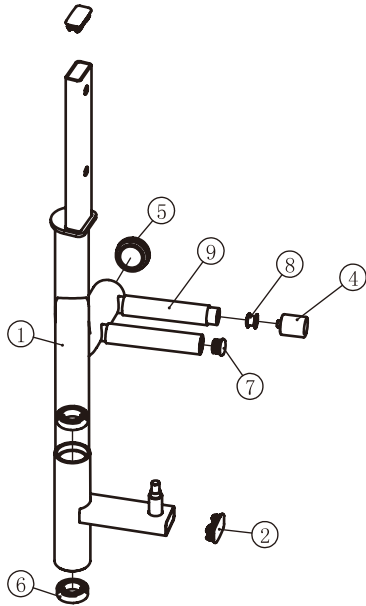
Right Leg Frame ASSY



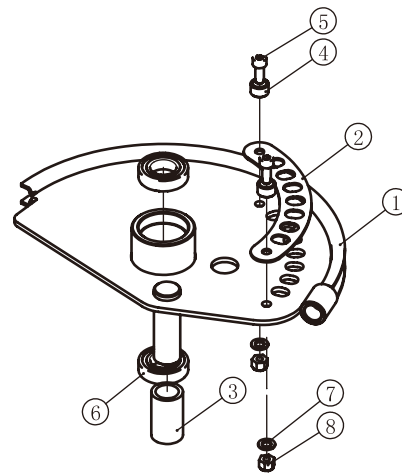
ItemNo.	Grade No.	Part No.	Description	QTY
1	5.1	IF93350500	Right Leg Frame	1
2	5.2	IF933510ASSY	Plug Pin ASSY	1
3	5.3	CHL305WS0900	Plug □50*25	2
4	5.4	CWRVL0231900	Grip STΦ30*Φ22*145	1
5	5.5	IN-D20022200	Rubber Plug	1
6	5.6	HF405A0700	PlugΦ25.4	1
7	5.7	B10009900	PlugΦ50.8	1
8	5.8	GB2766005-2ZC3	Deep Groove Ball Bearing	2
9	5.9	IF81165000	Lock Nut	1
10	5.10	026-01PL0206-12V1	Grip STΦ30*Φ22*130	1

Exploded View and Parts List

Left Leg Frame ASSY



Wheel Frame-A ASSY

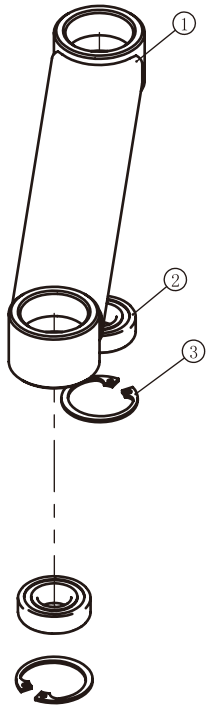


ItemNo.	Grade No.	Part No.	Description	QTY
1	6.1	IF93350600	Left Leg Frame	1
2	6.2	CHL305WS0900	Plug □50*25	2
3	6.3	CWRVL0231900	Grip STΦ30*Φ22*145	1
4	6.4	IN-D20022200	Rubber Plug	1
5	6.5	B10009900	PlugΦ50.8	1
6	6.6	GB2766005-2ZC3	Deep Groove Ball Bearing	2
7	6.7	HF405A0700	PlugΦ25.4	1
8	6.8	IF81165000	Lock Nut	1
9	6.9	026-01PL0206-12V1	Grip STΦ30*Φ22*130	1

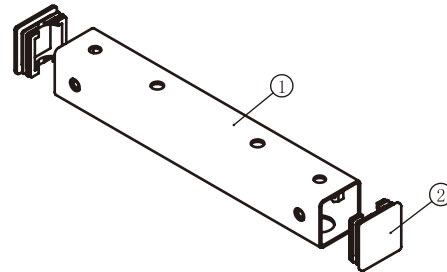
ItemNo.	Grade No.	Part No.	Description	QTY
1	7.1	IF93350700	Wheel Frame-A	1
2	7.2	IF93352300	Lining Board	1
3	7.3	IT80087000V1	Rubber Cap	1
4	7.4	IN-S10111200	Rubber Sleeve Φ17*10.5	2
5	7.5	GB70M8*20DS20	Hexagon Socket Head Cap Screw M8*20	2
6	7.6	GB2766005-2ZC3	Deep Groove Ball Bearing	2
7	7.7	GB958DS2	Flat WasherΦ9*Φ16*1.6	2
8	7.8	NM8DS2	Nylon Lock Nut M8	2

Exploded View and Parts List

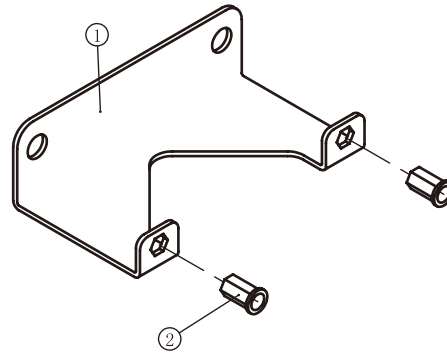
Connect Frame ASSY



Seat Cushion Support Frame ASSY



Bottom Bracket ASSY

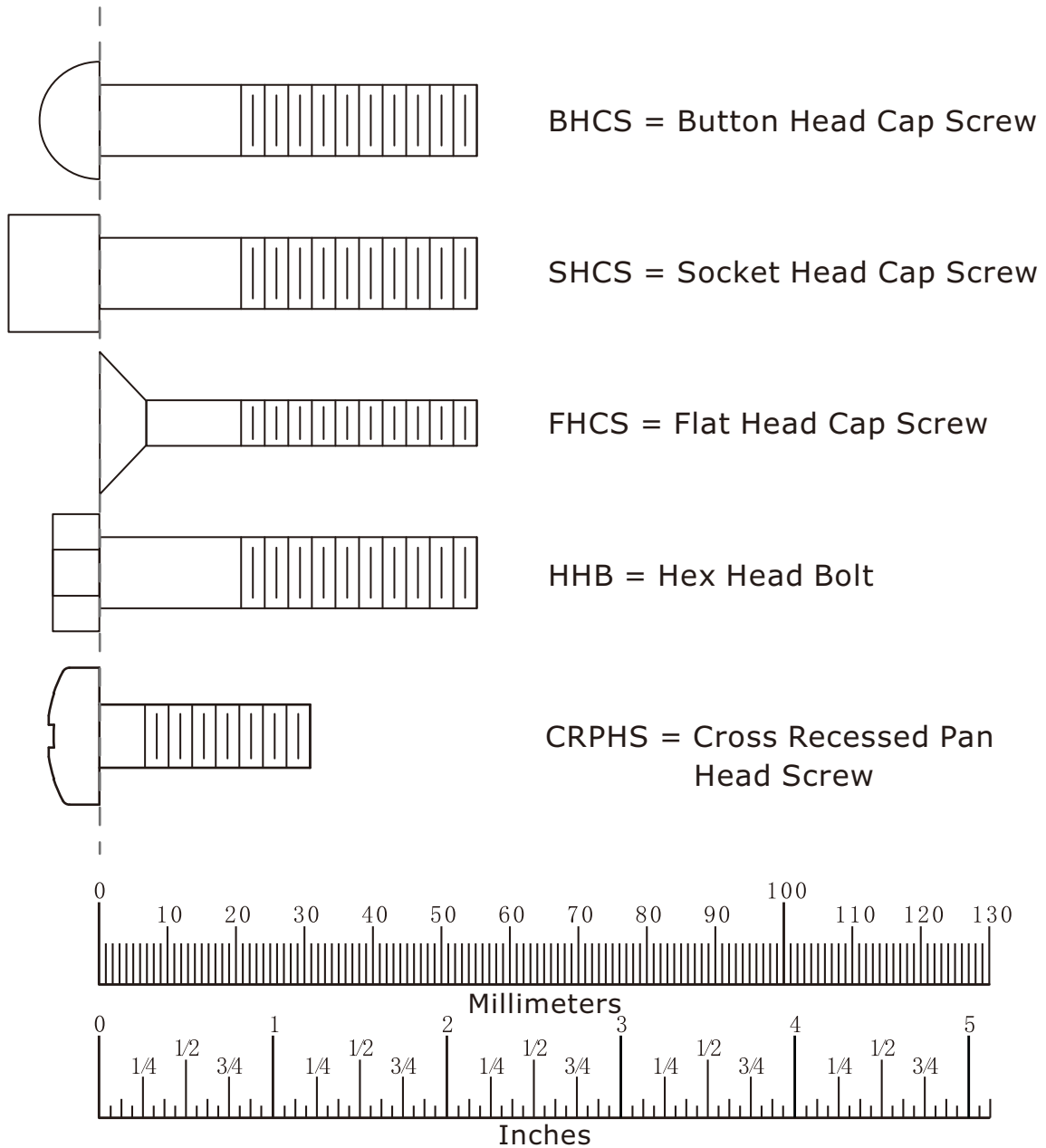


ItemNo.	Grade No.	Part No.	Description	QTY
1	8.1	IF93350800	Connect Frame	1
2	8.2	GB2766002-2ZC3	Deep Groove Ball Bearing	2
3	8.3	GB893.132FH12	Circlip For Hole	2

ItemNo.	Grade No.	Part No.	Description	QTY
1	9.1	IF93350900	Seat Cushion Support Frame	1
2	9.2	M02701000	Plug □50	2

ItemNo.	Grade No.	Part No.	Description	QTY
1	17.1	IF93012200	Bottom Bracket	1
2	17.2	GB17880.5M6*16.5DS17	Rivet Nut M6	2

Measurement Guide



Diameter of bolt (mm/inch)	M6(1/4")	M8(5/16")	M10(3/8")	M12(1/2")	M16(5/8")
Tightening torque (N.m)	9~12	22~30	45~59	78~104	193~257
Operational methods for adult men	The strength of the wrist	The strength of the wrist and forearm	The strength of the entire arm	The strength of the arm and upper body	with all strength

Assembly Instructions

Assembly of the equipment takes professional installers about 2 hours. If this is the first time you have assembled this type of equipment, plan to spend more time. It is strongly recommended to assemble the equipment by professional installers. You may find it quicker, safer, easier to assemble this equipment with the help of a friend, as some of components may be large, heavy or awkward to handle alone. It is important that you assemble your product in a clean, clear, uncluttered area. This will enable you to move around the product while you are fitting components and reduce the possibility of injury during assembly.

NOTE

As with any assembled part, proper alignment and adjustment is critical. While tightening the fasteners, be sure to leave room for adjustments. Do not fully tighten the fasteners until instructed to do so. Be careful to assemble the components in the sequence presented in this guide.

Assembly

STEP 1

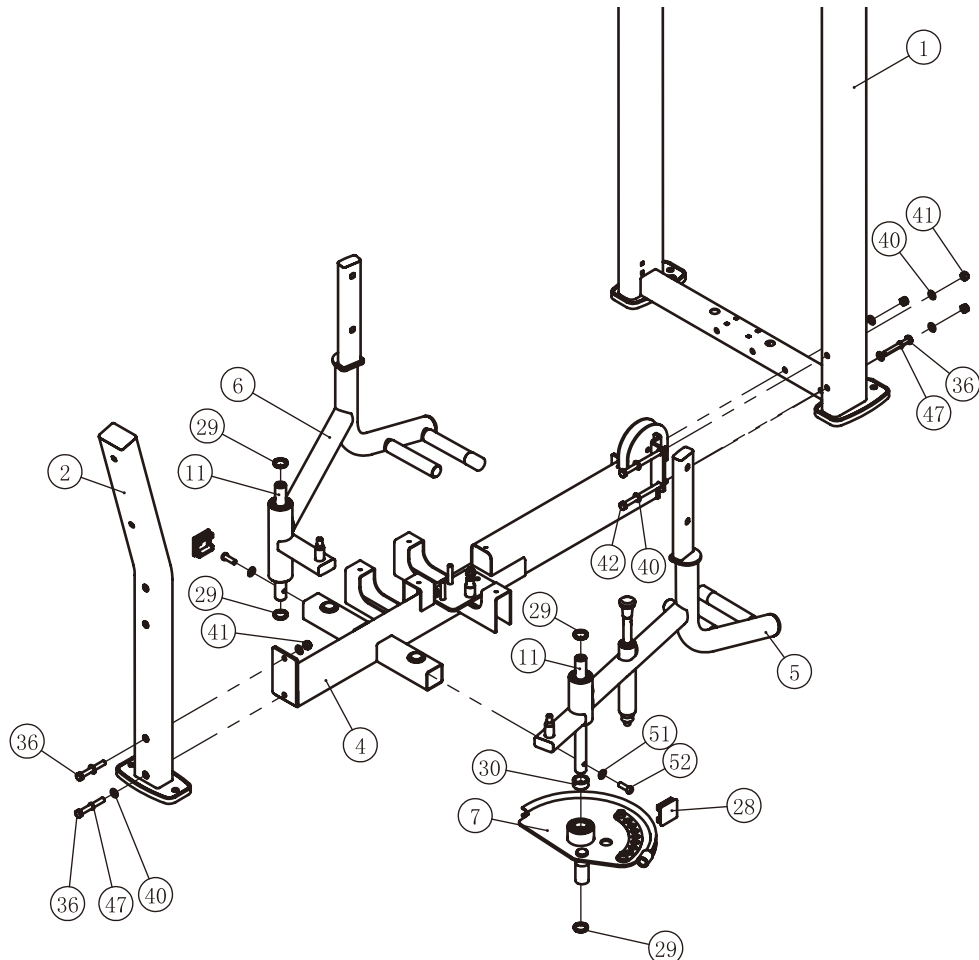
1. Attach the Bottom bracket Frame ASSY (#4) to the Weight Stack Frame ASSY (#1) using:

two M10*75 HHB (#36)	two M10*135 HHB (#42)
seven $\Phi 11*\Phi 20*2$ Flat Washer (#40)	one $\Phi 10$ Spring Washer (#47)
three M10 Nylon Lock Nut (#41)	
2. Attach the Floorstand ASSY (#2) to the Weight Stack Frame ASSY (#1) using:

two M10*75 HHB (#36)	three $\Phi 11*\Phi 20*2$ Flat Washer (#40)
one $\Phi 10$ Spring Washer (#47)	one M10 Nylon Lock Nut (#41)
3. Attach two Rollers (#11) and two Plugs (#28) to the Bottom bracket Frame ASSY (#4) using:

two M10*30 SHC (#52)	two $\Phi 11*\Phi 20*2$ Curved Washer (#51)
----------------------	---------------------------------------------
4. Attach one $\Phi 32*\Phi 26*5$ Spacer (#29) to the left side of the Roller (#11), then put the Left Leg Frame ASSY (#6) on it, in the end put one $\Phi 32*\Phi 26*5$ Spacer (#29) on.
5. Attach one $\Phi 32*\Phi 26*5$ Spacer (#29) to the left side of the Roller (#11), then put the Wheel Frame-A ASSY (#7) on it, and put one $\Phi 35*\Phi 25.4*16.7$ Spacer (#30) on it, then put the Right Leg Frame ASSY (#5) on it, in the end put one $\Phi 32*\Phi 26*5$ Spacer (#29) on.

Note: Wrench Tighten Bolts and Nylon Lock Nuts.



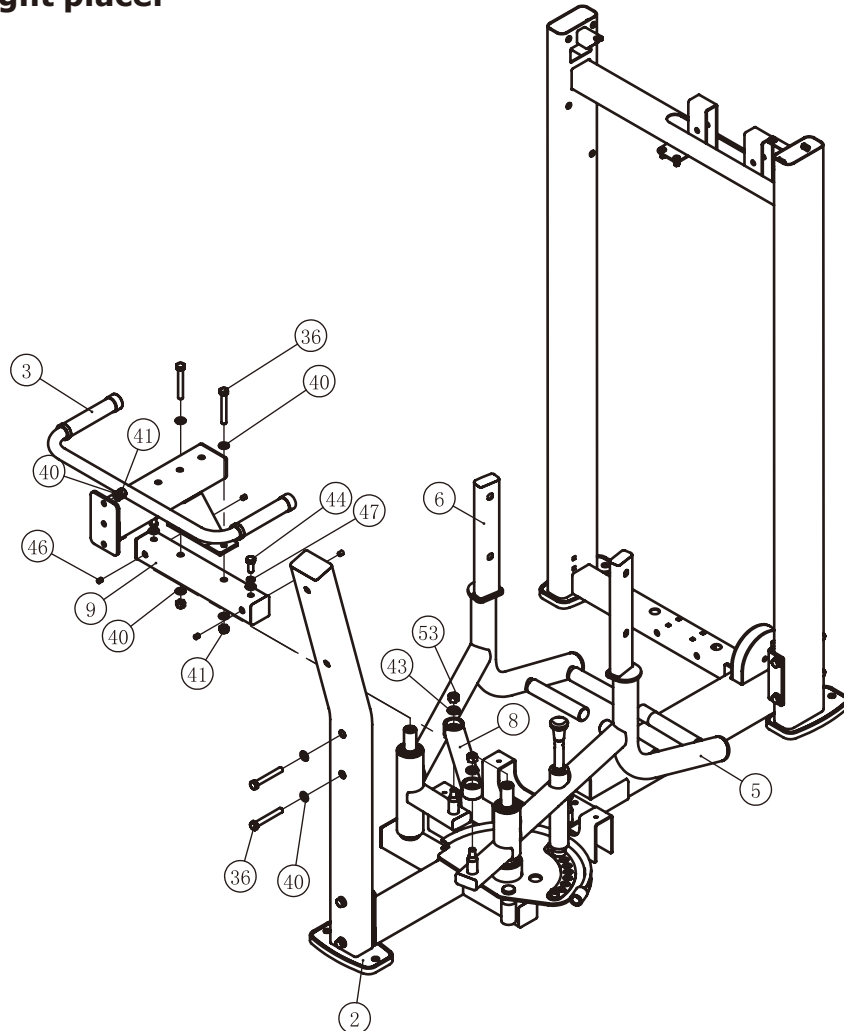
Assembly

STEP 2

1. Attach the Connect Frame ASSY (#8) to the Right Leg Frame ASSY (#5) and the Left Leg Frame ASSY (#6) using:
two Flat Washer $\Phi 13*\Phi 24*2.5$ (#43) two Nylon Lock Nut M12 (#53)
2. Attach the Seat Cushion Support Frame ASSY (#9) to the Rollers (#11) using:
two M10*25 HHB (#44) two $\Phi 11*\Phi 20*2$ Flat Washer (#40)
two $\Phi 10$ Spring Washer (#47) four M8*10 Socket Set Screw (#46)
3. Attach the Seat Pad Frame ASSY (#3) to the Floorstand ASSY (#2) and the Seat Cushion Support Frame ASSY (#9) using:
four M10*75 HHB (#36) eight $\Phi 11*\Phi 20*2$ Flat Washer (#40)
four M10 Nylon Lock Nut (#41)

Note: Wrench Tighten Bolts and Nylon Lock Nuts.

BY adjusting (#44) and (#46), make sure that (#5) and (#6) are in the right place.

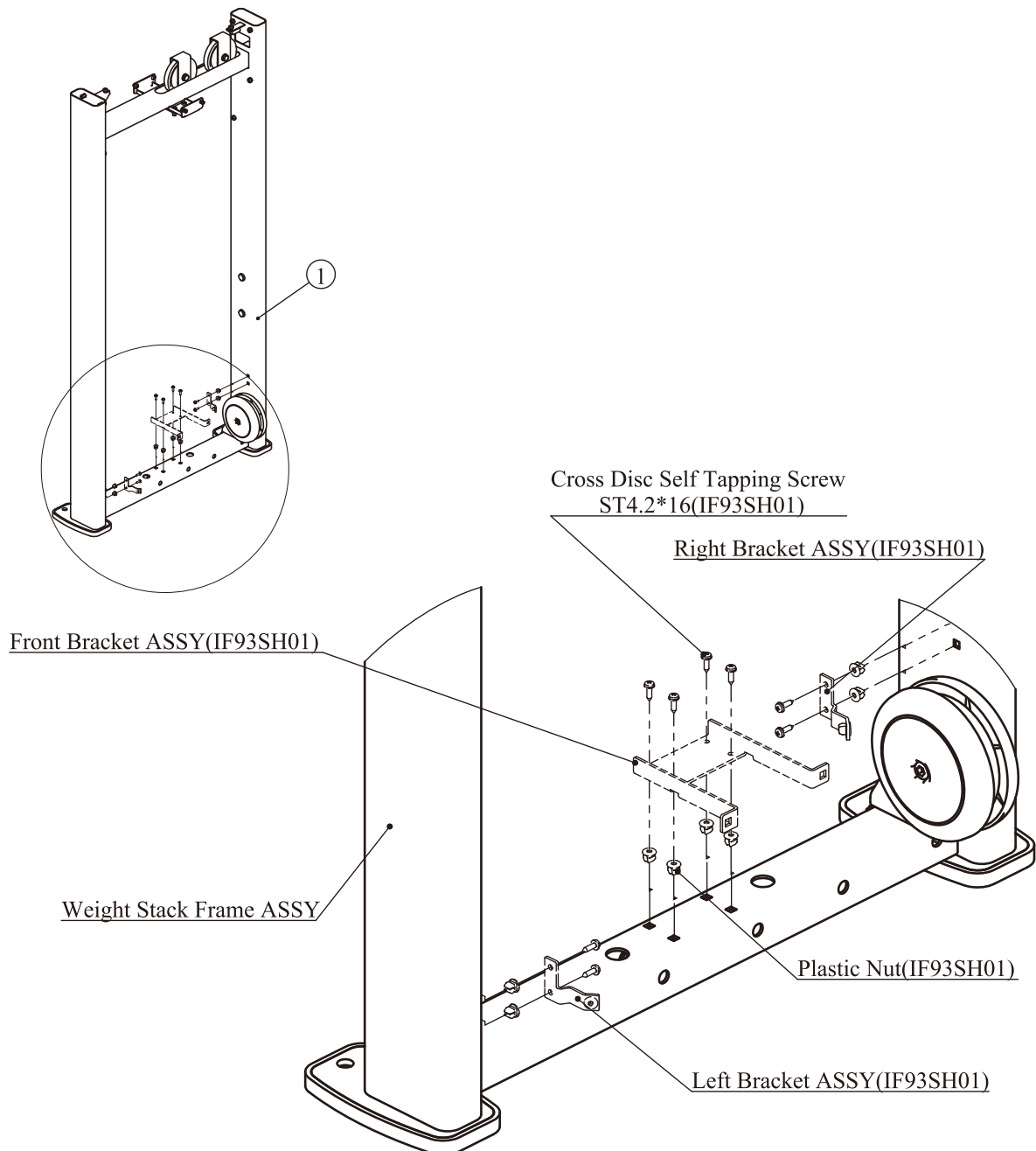


Assembly

Select STEP

If you install the Front Shroud Attachment (IF93SH01) later, you should to finish the following step firstly.

1. Attach eight Plastic Nut to the Weight Stack Frame ASSY (#1).
2. Attach the Front Bracket ASSY, Right Bracket ASSY and the Left Bracket ASSY to the Weight Stack Frame ASSY (#1) using:
eight ST4.2*16 Cross Disc Self Tapping Screw



Assembly

STEP 4

Here is the assembly instruction for **160LBS Weights !**

1. Attach:

two Guide Rod $\Phi 19 \times 1242$ (#23)
 fifteen Weight Plate 10LBS (#101)
 one Top Plate (#22)

two Weight Rubber Bumper (#32)
 two weight stack space (#103)

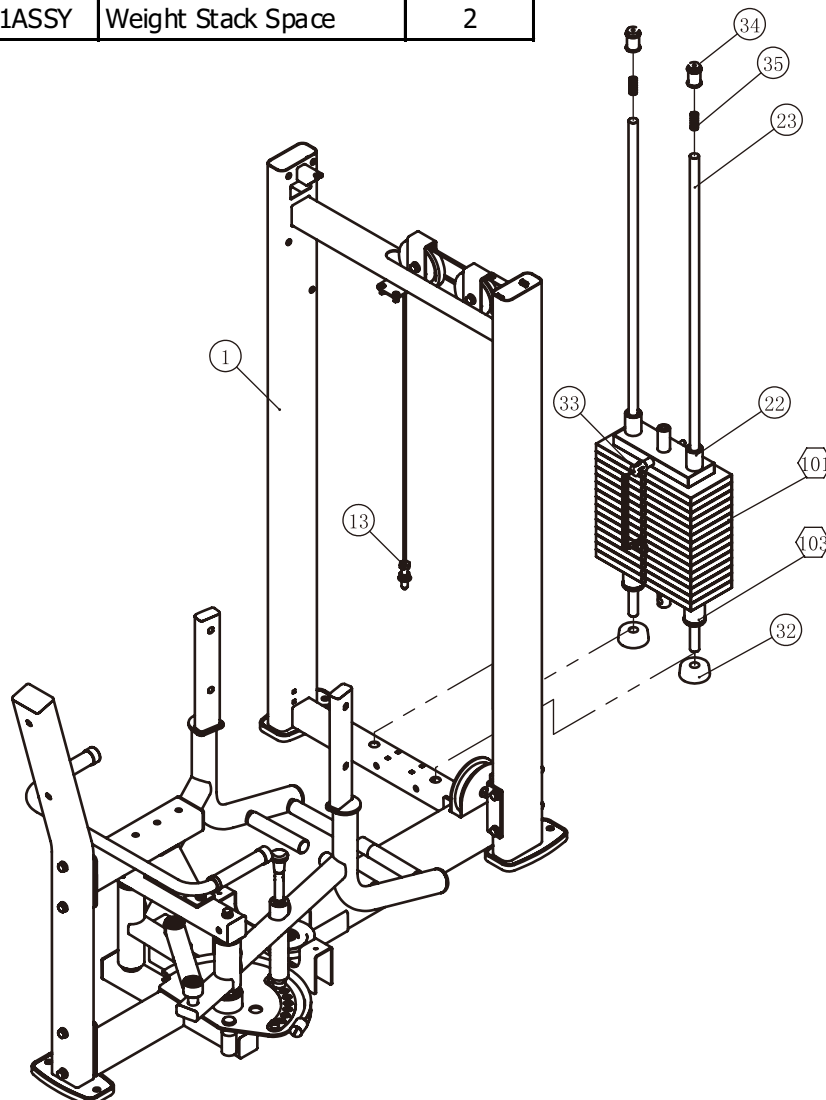
to the Weight Stack Frame ASSY (#1) using:

two Guide Rod Fixing Sleeve $\Phi 25 \times \Phi 19 \times 45$ (#34)
 two Spring (#35)

2. Attach the Selector Pin W/Coil (#33) to the Top Plate (#22).

3. Attach the Cable ASSY (#13) to the Top Plate (#22).

Grade No.	Part No.	Description	QTY
101	FE97193100	10LBS Weight Plate	15
103	FEWS01ASSY	Weight Stack Space	2



Assembly

STEP 4

Here is the assembly instruction for **200LBS Weights !**

1. Attach:

two Guide Rod $\Phi 19 \times 1242$ (#23)

two Weight Rubber Bumper (#32)

nineteen Weight Plate 10LBS (#101)

one Top Plate (#22)

to the Weight Stack Frame ASSY (#1) using:

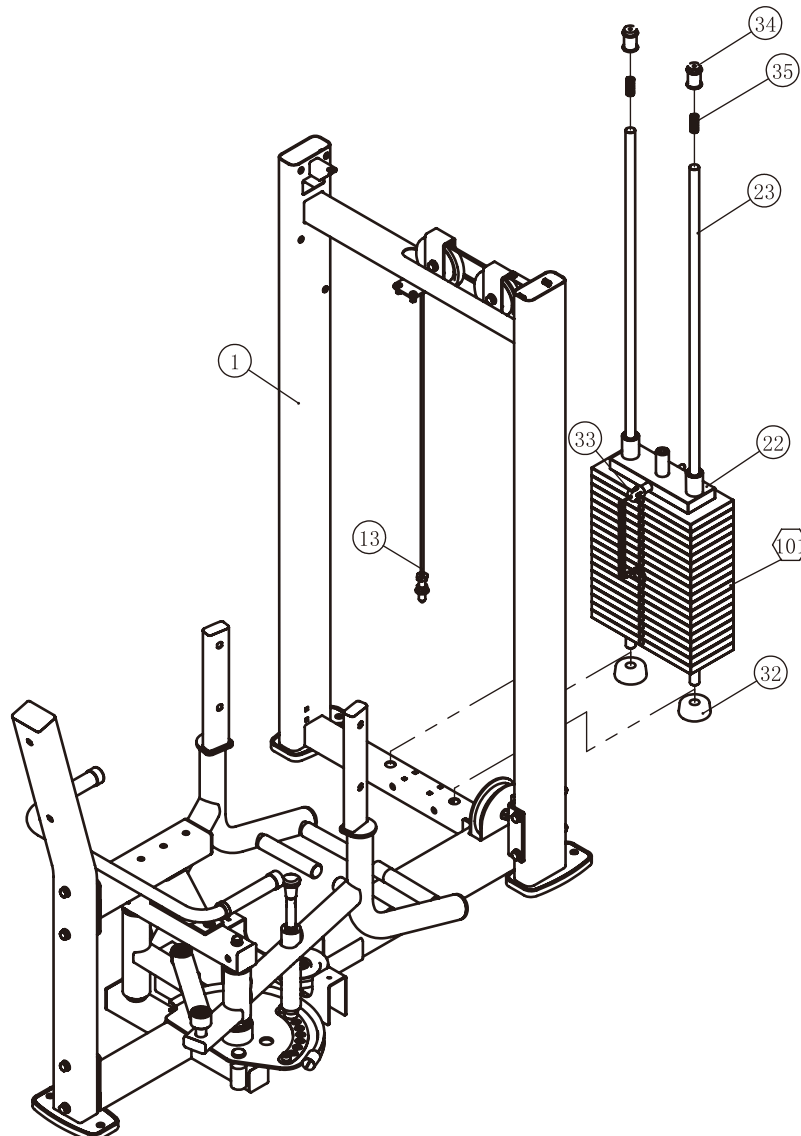
two Guide Rod Fixing Sleeve $\Phi 25 \times \Phi 19 \times 45$ (#34)

two Spring (#35)

2. Attach the Selector Pin W/Coil (#33) to the Top Plate (#22).

3. Attach the Cable ASSY (#13) to the Top Plate (#22).

Grade No.	Part No.	Description	QTY
101	FE97193100	10LBS Weight Plate	19



Assembly

STEP 4

Here is the assembly instruction for **235LBS Weights !**

1. Attach:

two Guide Rod $\Phi 19 \times 1242$ (#23)
 fifteen Weight Plate 15LBS (#102)
 one Top Plate (#22)

two Weight Rubber Bumper (#32)
 two weight stack space (#103)

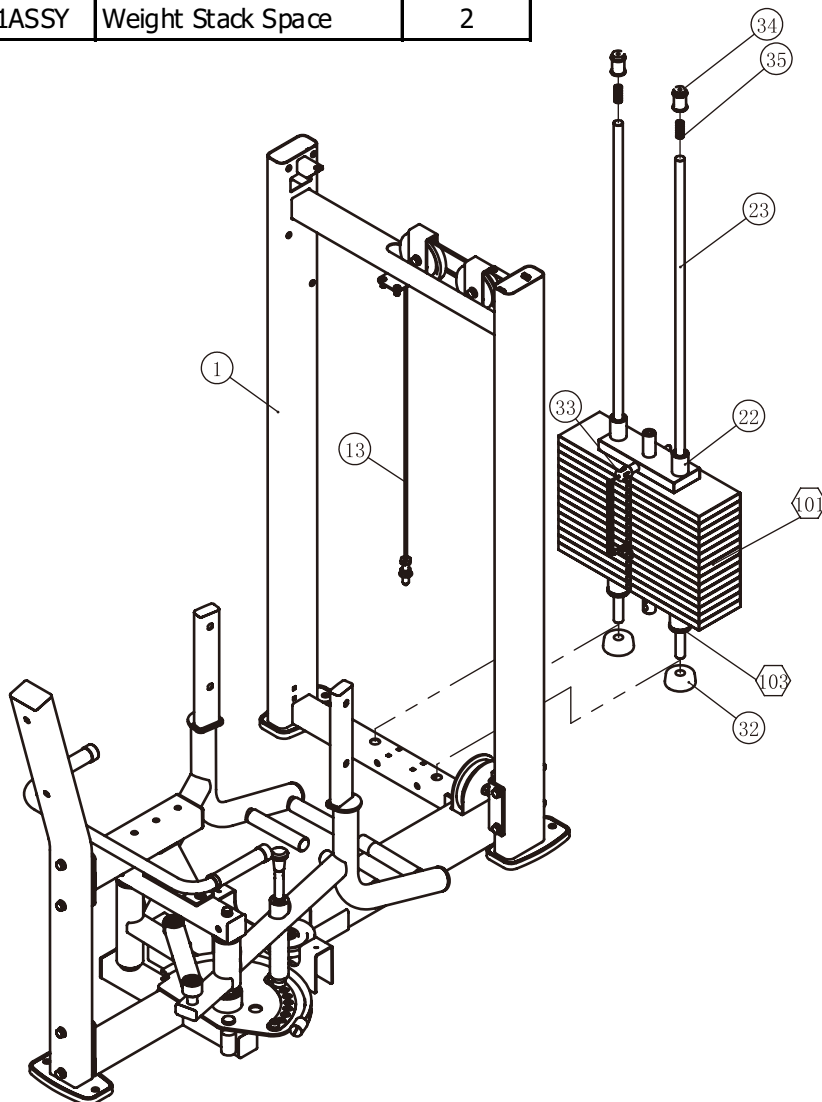
to the Weight Stack Frame ASSY (#1) using:

two Guide Rod Fixing Sleeve $\Phi 25 \times \Phi 19 \times 45$ (#34)
 two Spring (#35)

2. Attach the Selector Pin W/Coil (#33) to the Top Plate (#22).

3. Attach the Cable ASSY (#13) to the Top Plate (#22).

Grade No.	Part No.	Description	QTY
102	FE97193200	15LBS Weight Plate	15
103	FEWS01ASSY	Weight Stack Space	2



Assembly

STEP 4

Here is the assembly instruction for **295LBS Weights !**

1. Attach:

two Guide Rod $\Phi 19 \times 1242$ (#23)

two Weight Rubber Bumper (#32)

nineteen Weight Plate 15LBS (#102)

one Top Plate (#22)

to the Weight Stack Frame ASSY (#1) using:

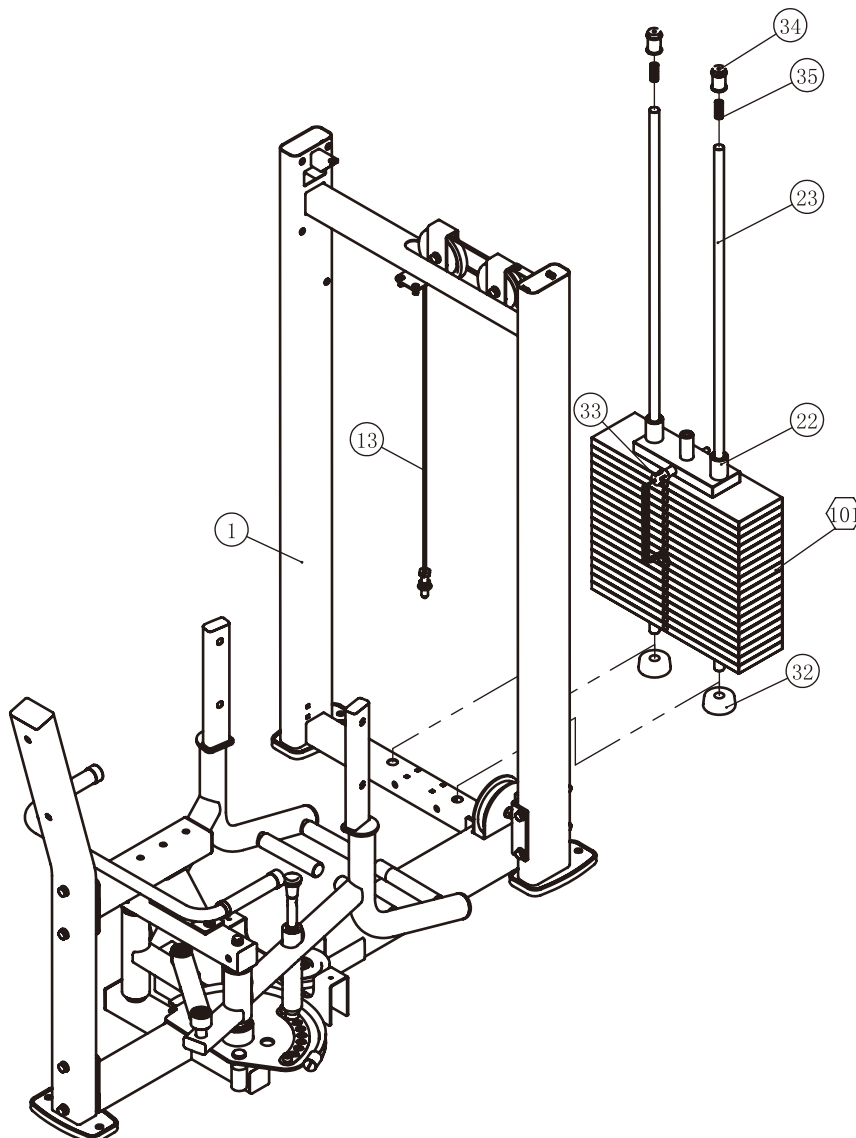
two Guide Rod Fixing Sleeve $\Phi 25 \times \Phi 19 \times 45$ (#34)

two Spring (#35)

2. Attach the Selector Pin W/Coil (#33) to the Top Plate (#22).

3. Attach the Cable ASSY (#13) to the Top Plate (#22).

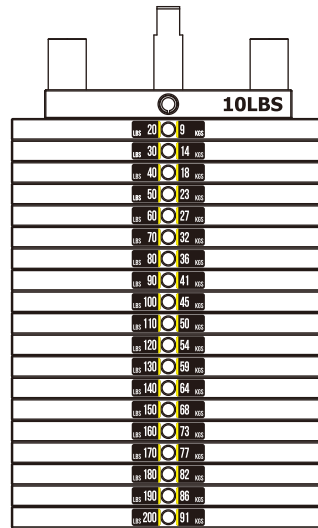
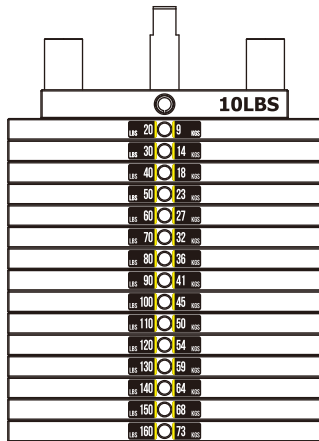
Grade No.	Part No.	Description	QTY
102	FE97193200	15LBS Weight Plate	19



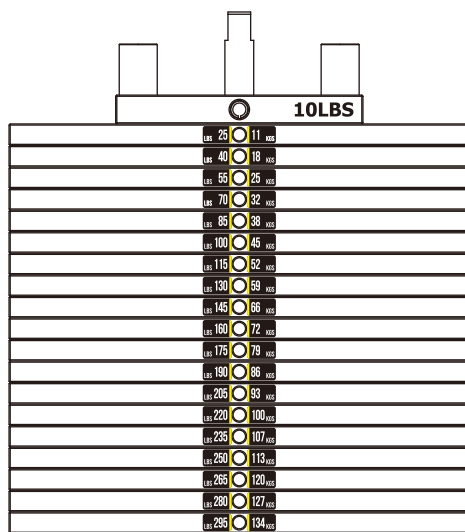
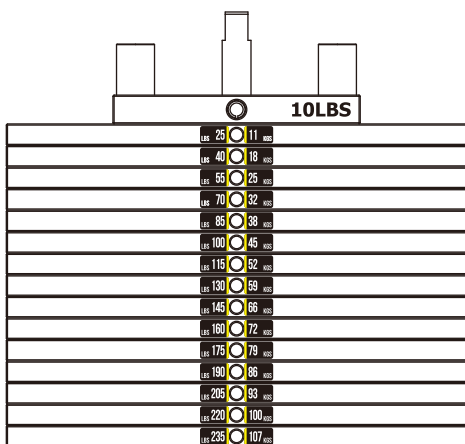
Assembly

All weight plate sticker paste schematic diagram

LBS 20	9
LBS 30	14
LBS 40	18
LBS 50	23
LBS 60	27
LBS 70	32
LBS 80	36
LBS 90	41
LBS 100	45
LBS 110	50
LBS 120	54
LBS 130	59
LBS 140	64
LBS 150	68
LBS 160	73
LBS 170	77
LBS 180	82
LBS 190	86
LBS 200	91
LBS 210	95
LBS 220	100
LBS 230	104



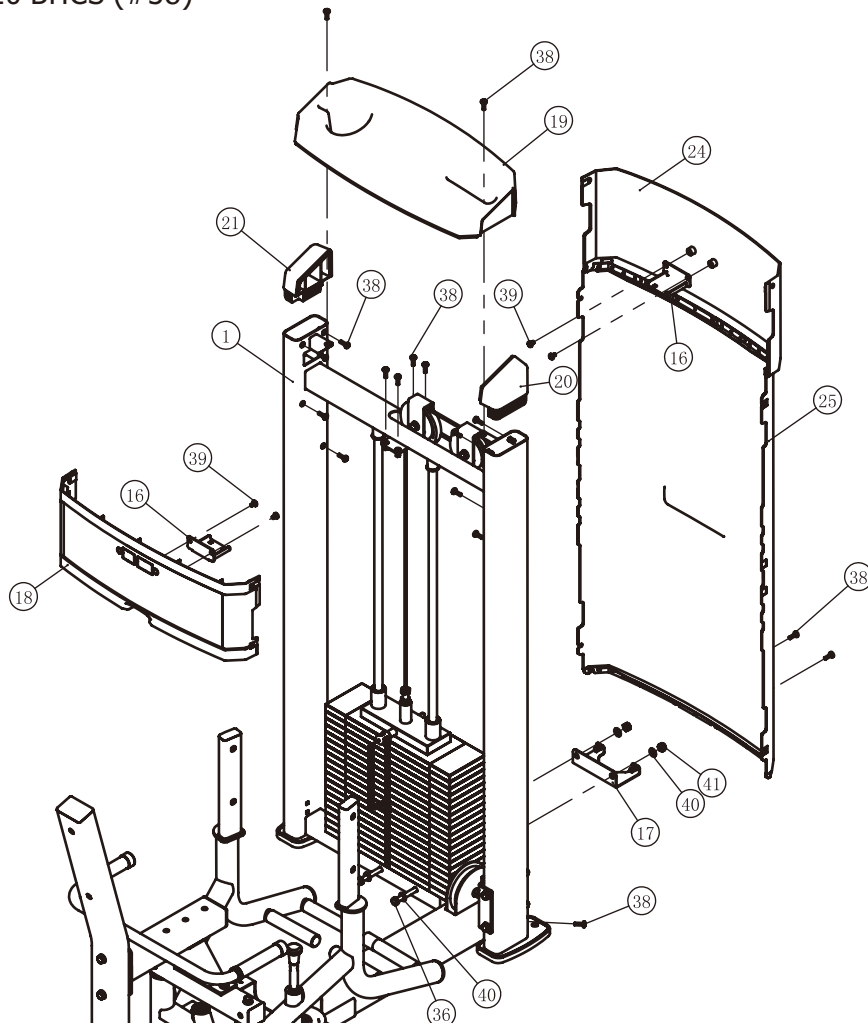
LBS 25	11
LBS 40	18
LBS 55	25
LBS 70	32
LBS 85	38
LBS 100	45
LBS 115	52
LBS 130	59
LBS 145	66
LBS 160	72
LBS 175	79
LBS 190	86
LBS 205	93
LBS 220	100
LBS 235	107
LBS 250	113
LBS 265	120
LBS 280	127
LBS 295	134
LBS 310	141
LBS 325	147



Assembly

STEP 5

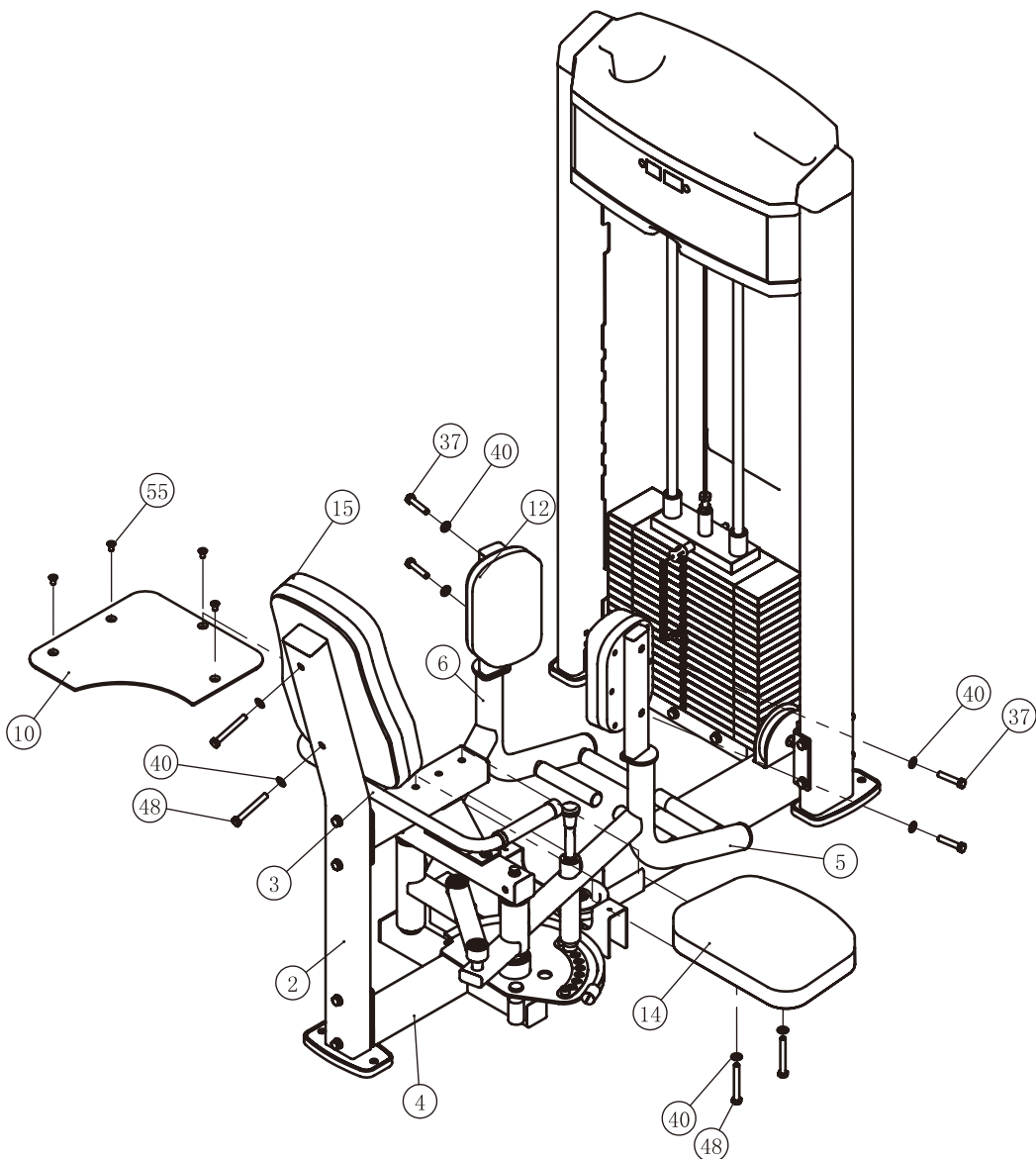
1. Attach the Bottom Bracket ASSY (#17) to the Weight Stack Frame ASSY (#1) using:
two M10*75 HHB (#36) four $\Phi 11*\Phi 20*2$ Flat Washer (#40)
two M10 Nylon Lock Nut (#41)
2. Attach two Top Bracket (#16) to the Training Placard Cover (#18) and the Top Rear Shroud (#24) using:
four M6*10 BHCS (#39)
3. Attach the Rear Shroud (#25) to the Weight Stack Frame ASSY (#1) and the Bottom Bracket ASSY (#17) using:
six M6*20 BHCS (#38)
4. Attach the Training Placard Cover (#18) and the Top Rear Shroud (#24) to the Weight Stack Frame ASSY (#1) using:
ten M6*20 BHCS (#38)
5. Attach the Right Plug (#20) and the Left Plug (#21) to the Weight Stack Frame ASSY (#1).
6. Attach the Top Cover (#19) to the Weight Stack Frame ASSY (#1) using:
two M6*20 BHCS (#38)



Assembly

STEP 6

1. Attach two Leg Pad (#12) to the Left Leg Frame ASSY (#6) and the Right Leg Frame ASSY (#5) using:
four M10*50 HHB (#37) four $\Phi 11*\Phi 20*2$ Flat Washer (#40)
2. Attach one Seat Pad (#14) to the Seat Pad Frame ASSY (#3) using:
two M10*80 HHB (#48) two $\Phi 11*\Phi 20*2$ Flat Washer (#40)
3. Attach one Back Pad (#15) to the Floorstand ASSY (#2) using:
two M10*80 HHB (#48) two $\Phi 11*\Phi 20*2$ Flat Washer (#40)
4. Attach one Cover Plate (#10) to the Bottom bracket Frame ASSY (#4) using:
four M8*15 FHCS (#55)



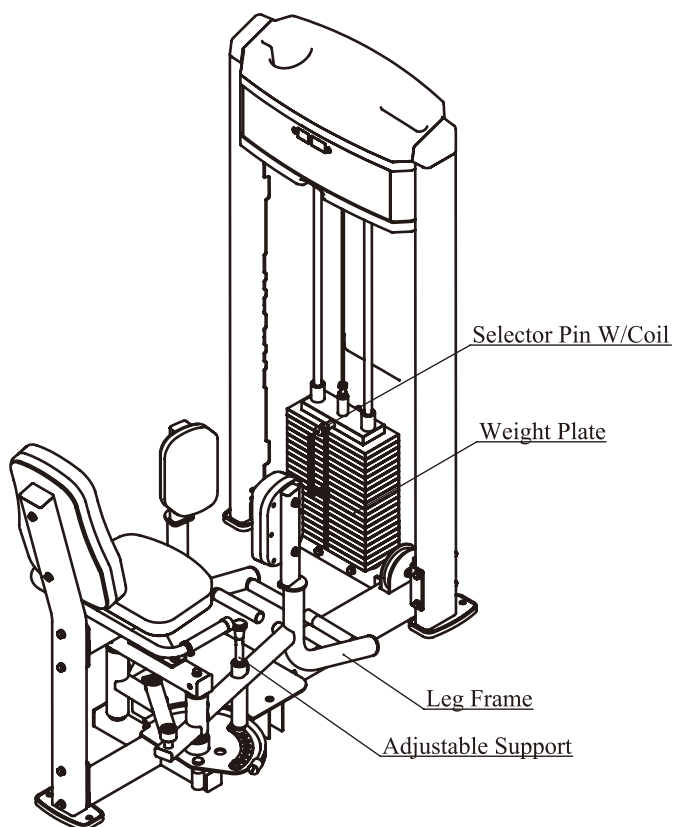
Adjust Instructions and Exercise Instructions

The Use Position adjustment

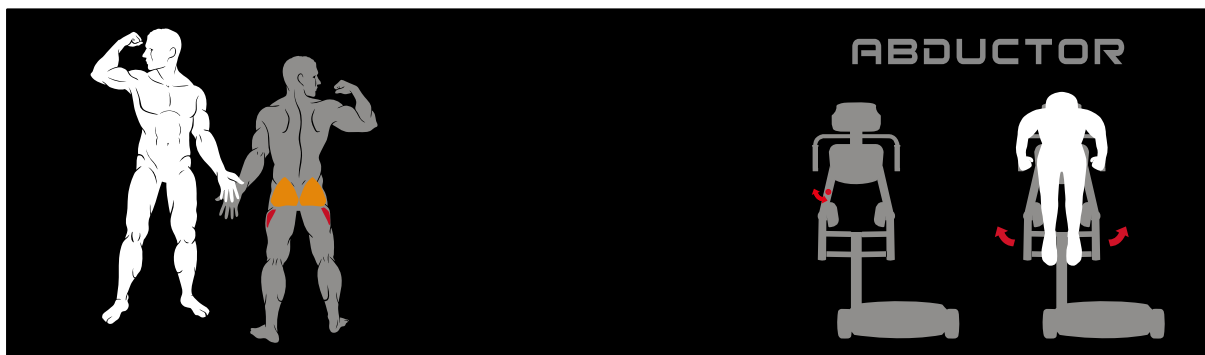
1. Pull the Adjustable Support and Adjust the Leg Frame to the desired position.
2. Make sure the pin gets into the hole completely.

The use of Selector Pin W/Coil

1. Select an appropriate weight and put the Selector Pin W/Coil into the hole on it.
2. Make sure the Selector Pin W/Coil gets into the hole completely.



Exercise Instructions



Maintenance Schedule

ROUTINE	COMMERCIAL MAINTENANCE	HOME MAINTENANCE	LATEST DATE ENTRY					
Inspect; Links, Pull Pins, Snap Locks, Swivels, Weight Stack Pins	DAILY	WEEKLY						
Clean; Upholstery	DAILY	WEEKLY						
Inspect; Cables or Belts and their tension	DAILY	WEEKLY						
Inspect; Accessory Bars, and Handles	WEEKLY	3 MONTHS						
Inspect; All Decals	WEEKLY	3 MONTHS						
Inspect; All Nuts and Bolts, Tighten if needed	WEEKLY	3 MONTHS						
Inspect; Anti-Skid Surface	WEEKLY	3 MONTHS						
Clean & Lubricate; Guide Rods with a Teflon (PTFE) based lubricant (Superlube)	MONTHLY	3 MONTHS						
Lubricate; Seat Sleeves, Turcite Bushings, Linear Bearing	MONTHLY	3 MONTHS						
Clean and Wax; All Glossy Finishes	6 MONTHS	YEARLY						
Repack with Grease; Linear Bearings	6 MONTHS	YEARLY						
Replace; Cables, Belts and Connecting Parts	YEARLY	3 YEARS						

Your equipment comes with a commercial maintenance decal. For personal, in home use, please follow the home maintenance schedule listed above.

General Maintenance Information

Links, Pull-Pins, Snap Hooks, Swivels, Weight Stack Pins:

- * Check all pieces for signs of visible wear or damage.
- * Check springs in snap hooks and pull-pins for proper tension and alignment.
- * If the spring sticks or has lost its rigidity, replace it immediately.

Upholstery:

- * To ensure prolonged upholstery life and proper hygiene, all upholstered pads should be wiped down with a damp cloth after every workout.
- * Periodically take the time to use a mild soap or an approved vinyl upholstery cleaner to deter the onset of cracking or drying. Avoid using any abrasive cleaners or cleaners not intended for use on vinyl.
- * Replace ripped or worn upholstery immediately.
- * Keep sharp or pointed objects clear of all upholstery.

Decals:

- * Inspect and familiarize yourself with any safety warnings or other user information posted on each decal.

Nuts and Bolts:

- * Inspect all nuts and bolts for any loosening and tighten if needed.
- * Go through a re-tightening sequence periodically to ensure that all hardware is tensioned proper.

Anti-Skid Surfaces:

- * These surfaces are designed to supply secure footing and need to be replaced if they appear worn or become slippery.

Belts and Cables:

- * We use only high quality belt, and mil-spec cables.
- * Visually inspect the belts and cables for fraying, cracking, peeling or discoloration.
- * While the machine is not in use, carefully run your fingers along the belt or cable to feel for thinning or bulging areas.
- * Replace belts and cables immediately at the first signs of damage or wear. Do not use equipment until belts or cables have been replaced.

Belt and Cable Tension:

- * Referring to the Owners Manual, when belts or cables are used check all bolt attachments to be sure they are properly attached.
- * Check slack in cables and re-adjust cable tension if needed.

Seat Sleeves, Guide Rods:

- * Wipe down adjusting tubes with a dust free rag before applying lubricant.
- * Lubricate seat sleeves and Guide Rods with a Silicon or Teflon based lubricant spray.

Linear Bearings:

- * Referring to the Owners Manual carefully disassemble the bearing from its housing and place a finger full of light grease (lithium, super lube, etc.) into the inside of the bearing. Using your finger, press the grease into the ball-bearings and their tracks. Repeat until the ball-bearing tracks are full of grease. Insert the shaft back into the bearing and wipe off excess grease.

PLEASE KEEP THIS FOR YOUR RECORDS

Weight Training Tips

Use this manual to guide you through the basic exercises you can perform on your equipment. To gain maximum results and avoid possible injury, consult a fitness professional to develop your complete exercise program.

Always consult your physician before starting any exercise program.

To be successful in your exercise program, it is important to develop an understanding of the basic principles of strength training. Now that you have your equipment, it is only natural that you want to get started immediately. First, determine a set of realistic goals and objectives for yourself. By deciding on an exercise plan that is right for you prior to starting, you will contribute significantly to your success.

Warm up properly before engaging in weight resistance training. Stretching, yoga, jogging, calisthenics or other cardiovascular exercise can help prepare your body for the heavier workload of lifting weights.

Learn how to perform the exercise correctly before using heavy weight. Correct form is important to avoid injury and to ensure that you work the proper muscle groups.

Know your limitations. If you are new to weight training or are embarking on an exercise regimen after a long layoff, start slowly and build foundational strength over a longer period of time.

Pay attention to your breathing. Exhale when you exert is a general rule of thumb. Never hold your breath.

