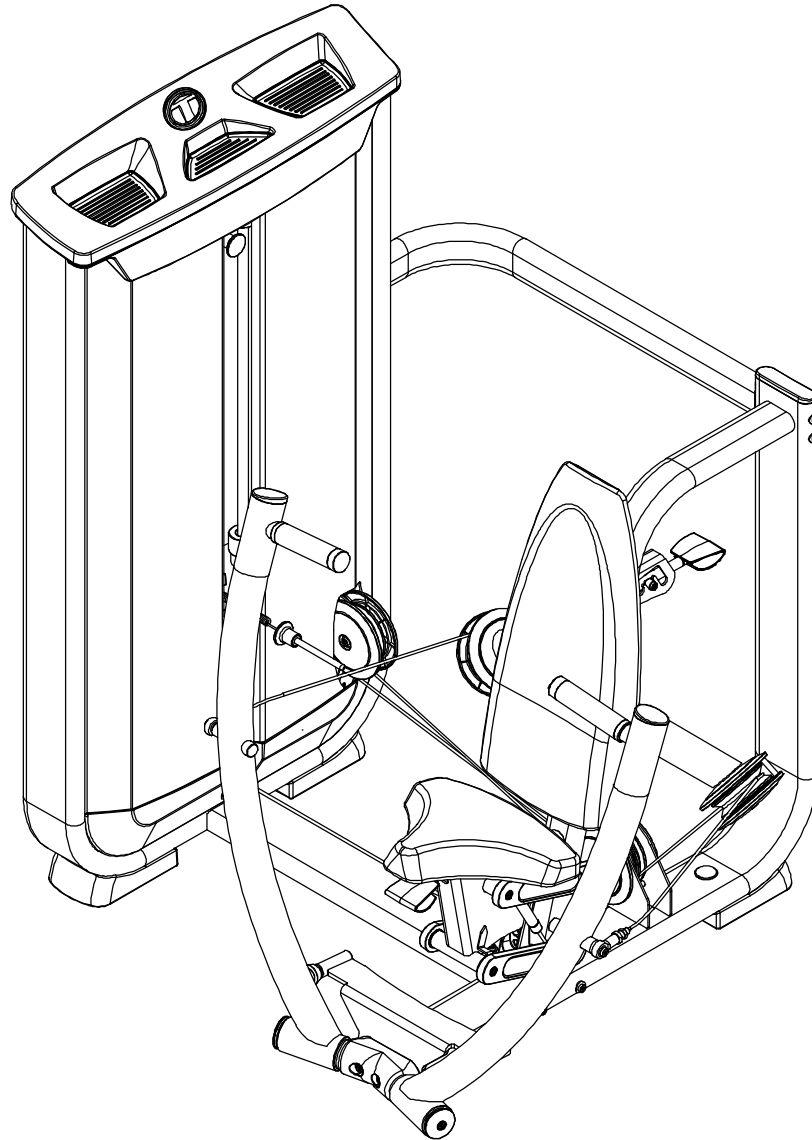


CHEST PRESS

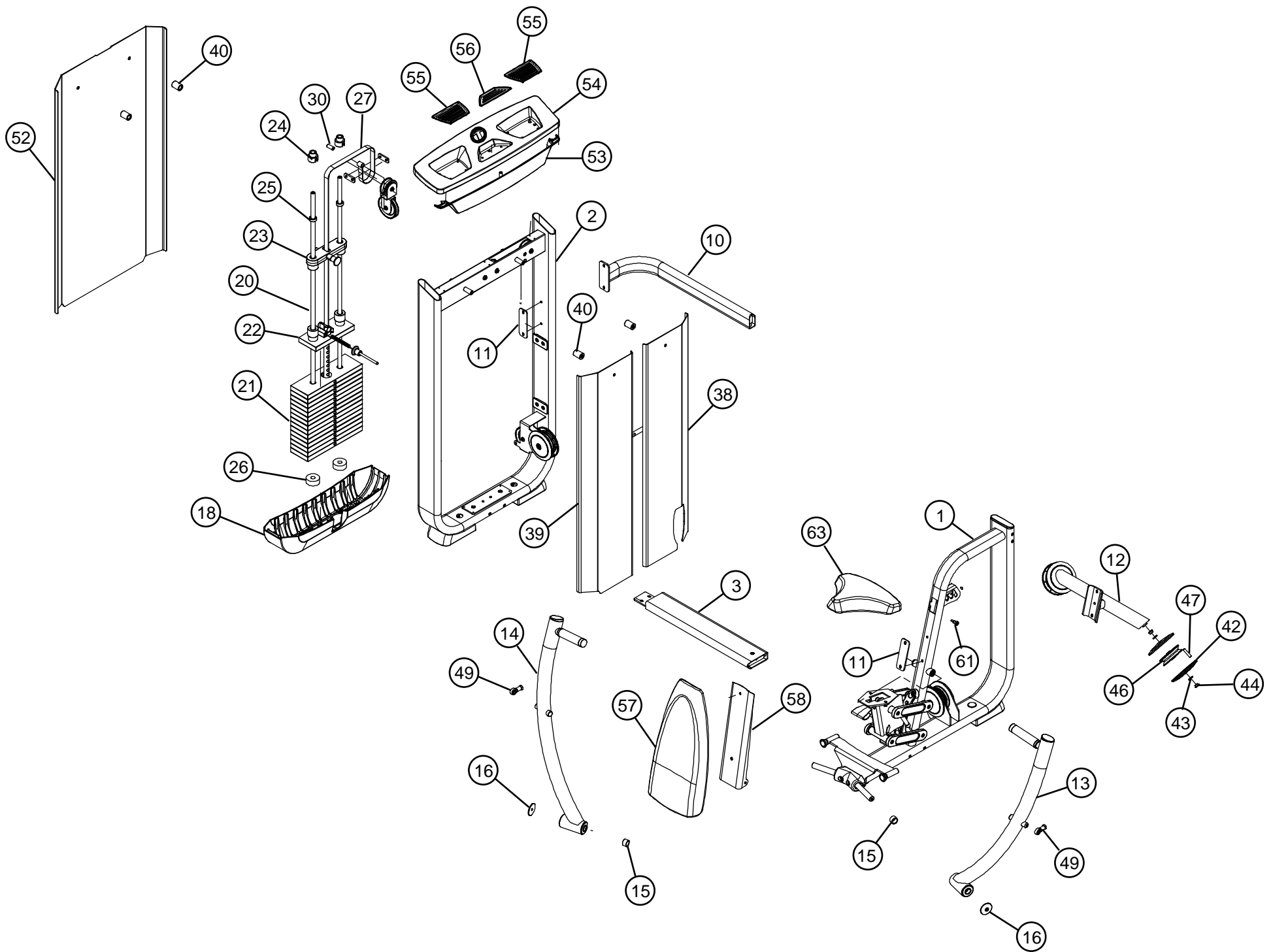


PARTS LIST

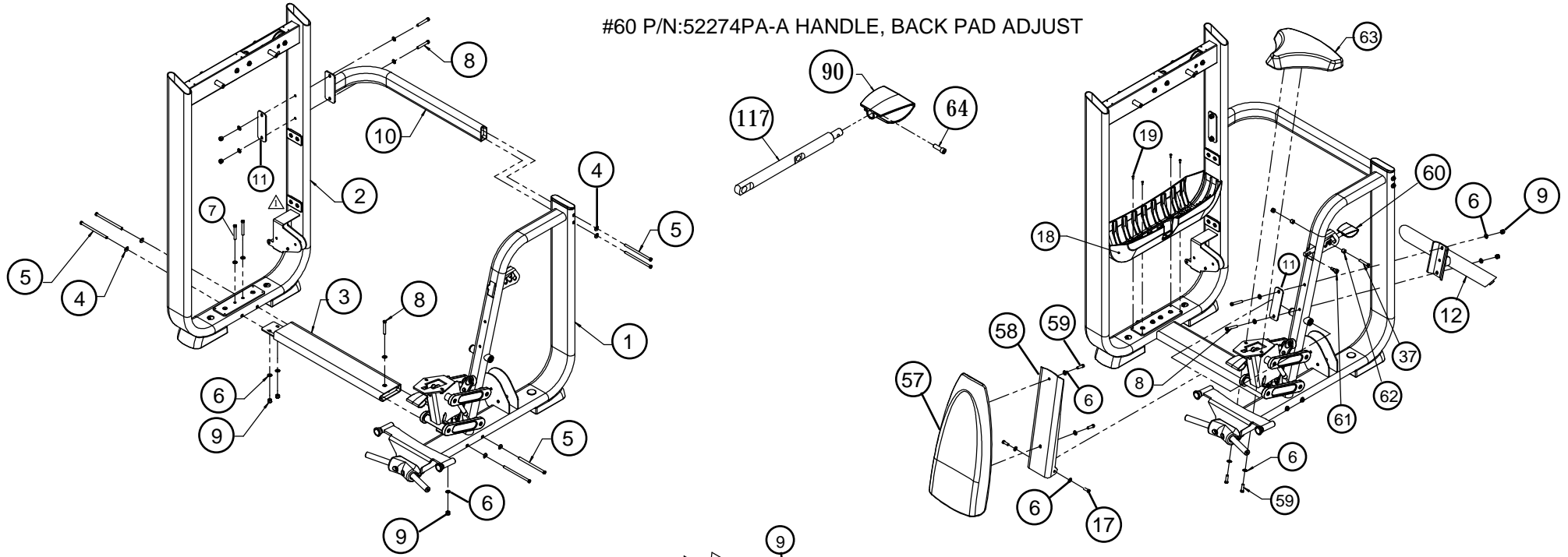
ITEM	QTY	PART NO	Paraong P/N	DESCRIPTION	Chinese Description
1	1	5299201-D	P20-2998	ASSY, CP MAIN FRAME	座墊管調節組
2	1	52114PA-B	P20-2994	PTD ASSY, CP-SP TOWER	主架固定管組
3	1	52148PA-A	P04-2826	PTD ASSY, CP-SP LOWER FRAME SUPPORT	連接管組
4	6	2003001		WASHER, 3/8" SAE CURVED	弧形華司
5	6	2006424		BOLT, 3/8-16 X 6-1/4" (159mm) SOCKET HEAD W/NP	六角承窩螺絲 3/8"x 6-1/4"L 點耐落
6	32	2001101		WASHER, FLAT 3/8 SAE ST ZN	平面華司20X10.5X1.0T
7	4	2005410		BOLT, 3/8-16 X 2-3/4" (70mm) SOCKET HEAD	六角承窩螺絲 3/8"x 2-3/4"L
8	5	2005409		BOLT, 3/8-16 X 2-1/2" (64mm) SOCKET HEAD	六角承窩螺絲 3/8"x 2-1/2"L
9	15	2001201		NUT, 3/8-16 LK ST ZN	尼龍螺帽3/8"-16x11T
10	1	5216501-A	P04-2825	WLDMT, CP-SP UPPER CONNECTOR	連接管組
11	2	5221401-A	P02-4251	PLATE, 50 X 155 X 4MM	固定片
12	1	5216801-B	P04-2843	WLDMT, CP MID PULLEY SUPPORT	固定管組
13	1	52152PA-A	P20-2995	PTD ASSY, CP LH PRESS ARM	左扶管組
14	1	52153PA-A	P20-2996	PTD ASSY, CP RH PRESS ARM	右扶管組
15	2	5215101-A	P03-1947	SPACER, 25.5 ID X 31.8 OD X 20	套管
16	2	5215901	P05-0979	CAP, AL END 6205Z BEARING HOUSING	鋁蓋
17	4	2006403		BOLT, 3/8-16 X 1" (25mm) SOCKET HEAD W/NP	六角承窩螺絲 3/8"x 1"L 點耐落
18	1	5212601	P06-2151	COVER, TOWER BASE	塑膠底座
19	12	2004802		SCREW, 10-32 X 1/2" (12MM) PAN HEAD W/NP	大扁頭十字螺絲#10-32x1/2"L 點耐落
20	2	5209701	P01-3735	GUIDE ROD, 19 DIA X 1315	升降桿
21	15	52101PA	P10-0778	PTD ASSY, 15 LB WEIGHT PLATE	選擇片
22	1	5250201-C	P20-2989	ASSY, 15 PLATE HEAD PLATE	上片組
23	1	5218201-D	P20-2988	ASSY, 7.5LB INC. WEIGHT	配重塊組
24	2	5209801	P06-2144	BUSHING, GUIDE ROD RETAINER	升降桿護套
25	2	5095301	A05-0212	SHAFT COLLAR, GUIDE ROD	固定軸套
26	2	5098201	P06-0034	CUSHION, WEIGHT STACK	緩衝墊
27	1	5224601-A	P17-0009	BELT, TOWER	滑輪皮帶
28	1	52245PA-A	P20-2991	PTD ASSY, BELT - 4.5 PULLEYS 90 DEG	輪座片組
29	2	5248501-A	P08-0121	SPACER, FLNG 16.2 X 10.1 X 6	T帽套管
30	1	5248401-A	P03-2026	SPACER, 16 OD X 10.1 ID X 36	套管
31	2	5208201-A	P02-4266	PLATE, BELT CLAMP	固定片
32	1	5297701		LABEL, WEIGHT STACK 15LBS	磅數表
33	2	2005404		BOLT, 3/8-16 X 1-1/4" (32mm) SOCKET HEAD	六角承窩螺絲 3/8"x 1-1/4"L
34	1	5303801-A	P13-0291	CABLE ASSY, CP	擴胸鋼索
35	5	5094501-B	P06-0961	PULLEY, 4-1/2 OD X 25	大滑輪
36	1	2005406		BOLT, 3/8-16 X 1-3/4" (45mm) SOCKET HEAD	六角承窩螺絲 3/8"x 1-3/4"L
37	2	2005407		BOLT, 3/8-16 X 2" (51mm) SOCKET HEAD	六角承窩螺絲 3/8"x 2"L
38	1	5212801-C	P10-0784	SHROUD, TOWER FRONT - RH	右前護網
39	1	5212901-B	P10-0795	SHROUD, TOWER FRONT - LH	左前護網
40	4	5213201	P06-2146	MOUNT, 19MM ID STANDOFF	橡膠套
41	4	2005405		BOLT, 3/8-16 X 1-1/2" (38mm) SOCKET HEAD	六角承窩螺絲 3/8"x 1-1/2"L
42	8	5214601-C	P06-2135	COVER, PULLEY 152MM DIA	護蓋

43	8	5217601-A	P06-2208	WASHER, RUBBER 19 ID X 25 OD X 3	墊片
44	8	5216301-A	P08-0165	SPACER, FLNG 16.2 X 10.2 X 7.5	T帽套管
45	1	2005414		BOLT, 3/8-16 X 3-3/4" (95mm) SOCKET HEAD	六角承窩螺絲 3/8"x 3-3/4"L
46	2	5084101-A	P06-0584	PULLEY, 4-1/2 OD X 1-1/2 V-GROOVE	大V滑輪
47	2	5335501-A	P03-2050	PIN, 10 DIA X 48	鐵心
48	2	2006412		BOLT, 3/8-16 X 3-1/4" (83mm) SOCKET HEAD W/NP	六角承窩螺絲 3/8"x 3-1/4"L 點耐落
49	2	5216401-A	P05-0977	ROD END, M-12 FEMALE	關節軸承
50	2	2005701		NUT, M12 JAM ST ZN	M12 螺帽
51	2	2007001	P05-1045	BOLT, 11.9 DIA X 16.5MM SHOULDER W/NP	限位螺絲
52	1	5297001	P10-0783	ASSY, REAR SHROUD	后護網
53	1	5295401-A		ASSY, CP PLACARD	塑膠蓋含運動看板
54	1	5294601	P20-2990	ASSY, TOWER CAP	塑膠蓋組
55	2	5244001	P06-2155	TRAY, TOWER CAP - LARGE	橡膠墊
56	1	5244101	P06-2156	TRAY, TOWER CAP - SMALL	橡膠墊
57	1	5247901-A	P07-0435	PAD, BACK W/ BACKING	背墊
58	1	5216201-A	P04-2846	WLDMT, CP BACK PAD SUPPORT	背墊固定片組
59	4	2006404		BOLT, 3/8-16 X 1-1/4" (32mm) SOCKET HEAD W/NP	六角承窩螺絲 3/8"x 1-1/4"L 點耐落
60	1	52274PA-A	P20-3177	HANDLE, BACK PAD ADJUST	手柄組
61	1	2006906	P05-0983	BOLT, 1/2 DIA SHOULDER W/NP	限位螺絲
62	2	5234801	P03-2019	BUSHING, STOP	套管
63	1	5246201	P07-0434	PAD, SMALL SEAT	座墊
64	8	2006503		BOLT, 1/4-20 X 3/4" (19mm) SOCKET HEAD W/NP	六角承窩螺絲 1/4"x 3/4"L 點耐落
65	8			WASHER, FLAT 12 X 5.2 X 1.0T	平面華司12X5.2X1.0T
66	8			WASHER, FLAT 16 X 6.5 X 1.0T	平面華司16X6.5X1.0T
67	2			BOLT, 3/8-16 X 3-1/2" (89mm) SOCKET HEAD	六角承窩螺絲 3/8"x 3-1/2"L
68	2	5203801-A	A06-0231	BELT, PULLEY	平皮帶滑輪
69	1	5223801-B	P04-2813	PLATE, LIMIT	限位片組
70	4	5213001-A	P06-2143	CUSHION, SHROUD HOLDER	緩衝墊
71	2	5293901-B	P06-2254	FOOT, TOWER	腳墊
72	1	5205501-A	P05-0962	ADJUSTMENT, SEAT	調整塊
73	1		P06-0134	PLUG	扣塞
74	1	5214501-A	P06-2141	COVER, PIVOT	固定座
75	1	5205401-A	P06-2129	END CAP, FLATOVAL	橢圓管塞
76	2	5205601-A	P06-2255	ADJUSTER, SP PRESS ARM	緩衝墊
77	1	5294101-A	P06-2256	LEVELER	緩衝墊
78	4		P08-0048	BUSHING, 25.55X19.05X16 FLANGE BRONZE	含油軸承
79	1	52058PA-A	P20-2992	ASSY, SEAT HOUSING	座墊固定片組
80	1	52062PA-A	P20-2993	ASSEMBLY, SEAT HANDLE	連接片組
81	2	5206701-A	P02-4250	PLATE, SEAT HANDLE	固定片
82	1	5280301-A	P02-4253	INDICATOR, SEAT ADJUSTMENT	標示片
83	2	5205301-A	P03-1949	SHAFT, SEAT ADJUSTMENT	鐵心
84	1	5247701-A	P03-1957	SHAFT, BACK ADJUSTMENT	鐵心
85	1		P05-0011	SPRING	彈簧
86	1		P05-0438	NUT, JAM	調整螺帽

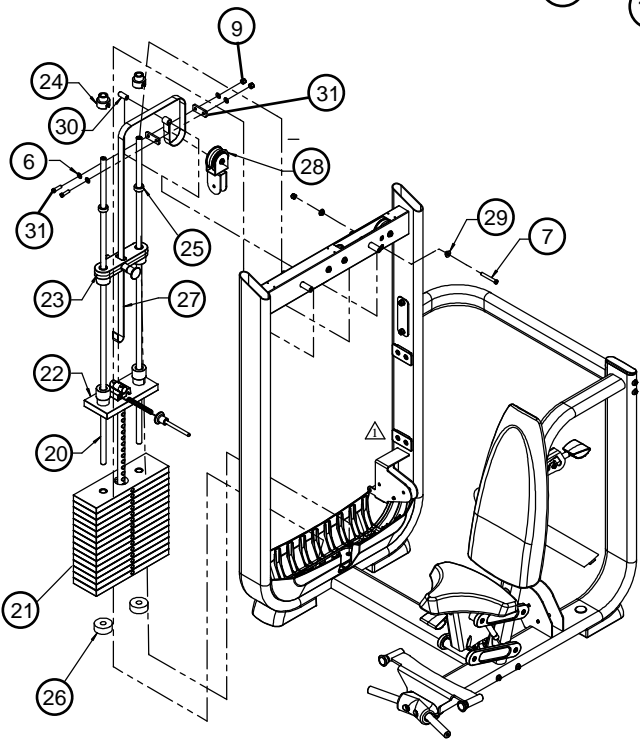
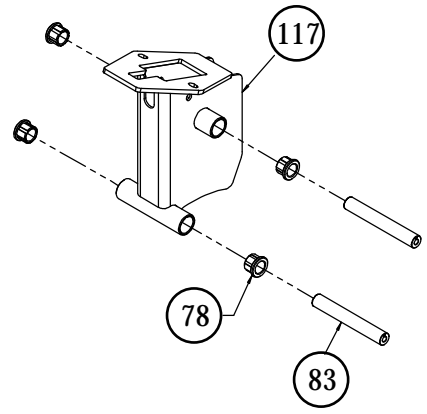
87	1	5206601-B	P05-0975	PIN	插鞘桿
88	2	5246401-A	P05-0976	GAS CYLINDER	氣壓缸
89	2	20039-A	P05-0986	SHOULDER BOLT	限位螺絲
90	1	5218501-C	P06-2138	KNOB, PLASTIC, SEAT	手柄
91	4	5246301-D	P06-2154	PLATE, SEAT	連接片
92	2			NUT, 3/8-16 X 7.2T, LK ST ZN	尼龍螺帽3/8"-16x7.2T
93	2			NUT, 1/4-20 X 8.0T, LK ST ZN	尼龍螺帽 1/4"-20x8.0T
94	4		P05-0204	FLANGE BEARING	法蘭培林
95	2	5096601-B	P05-0996	ALUMINUM CAP	鋁蓋
96	2	5096301-B	P05-0997	ALUMINUM COLLAR	鋁環
97	2	5226801-A	P06-2130	ROUND ENDCAP	圓管內塞
98	2	5217801-A	P06-2215	HAND GRIP	把手套
99	8			SET SCREW M4x3mmL	止付螺絲
100	1	5224501-A	P04-2814	BRACKET, PULLEY	輪座片焊接件
101	1	52180PA-C	P10-0780	7.5LB INC. WEIGHT	配重塊
102	1	5218101-A	P05-0991	PIN, 7.5LB INC. WEIGHT	插鞘桿
103	1	P46609-101	A05-1079	SPRING	壓縮彈簧
104	1	5244901-C	P06-2132	KNOB, 7.5LB INC. WEIGHT	插鎖頭
105	1	52102PA-B	P10-0777	15LB HEAD PLATE	上片組
106	1	5210901-A	P10-0781	SELECTOR STEM	選擇桿
107	1	5303701-A	P02-4395	LANYARD CLIP	卡片
108	1	5211301-A	P03-1946	BELT CLAMP	鐵心
109	1		P05-0187	CLEVIS PIN	彈簧鞘
110	1	5211201-B	P06-2134	BELT CLAMP HOUSING	塑膠塊
111	2	5218401-B	P06-2145	BUMPER	橡膠墊
112	1	5245301	P11-0183	WEIGHT STACK SELECTOR PIN	選擇桿插鞘組
113	1	5213301-C	P04-2841	CP MAIN FRAME WELDMENT	固定立管組
114	1	5211401-A	P04-2823	CP TOWER WELDMENT	主架固定管
115	1	5215201-A	P04-2844	LEFT PRESS ARM WELDMENT	左扶手管
116	1	5215301-A	P04-2845	RIGHT PRESS ARM WELDMENT	右扶手管
117	1	5227401-A	P05-2084	BACK PAD ADJUST HANDLE	把手
118	1	5205801-A	P04-2819	SEAT HOUSING WELDMENT	座墊固定片焊接件
119	1	5206201-A	P04-2827	SEAT HANDLE WELDMENT	連接片焊接件
120	2		P08-0156	BUSHING	含油軸承
121	1	5243801-C	P06-2152	TOWER CAP	塑膠蓋
122	1		P10-0098	BADGE	銘牌
123	2			BOLT, 3/8-16 X 1-3/4" (45mm) SOCKET HEAD W/NP	六角承窩螺絲 3/8"x 1 3/4"L 點耐落



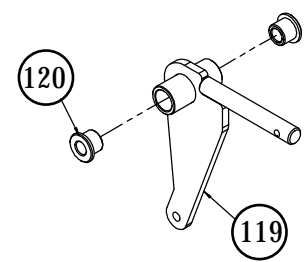
#60 P/N:52274PA-A HANDLE, BACK PAD ADJUST

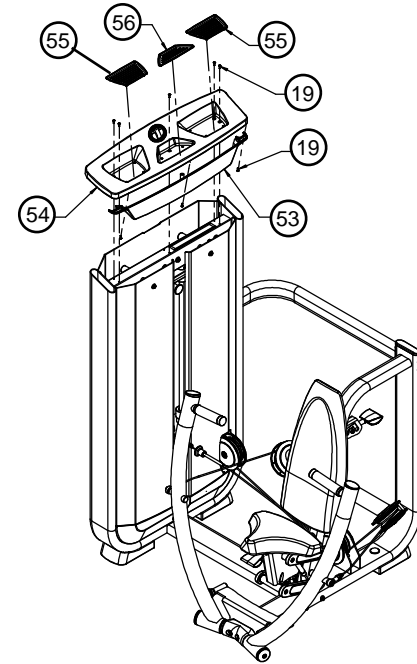
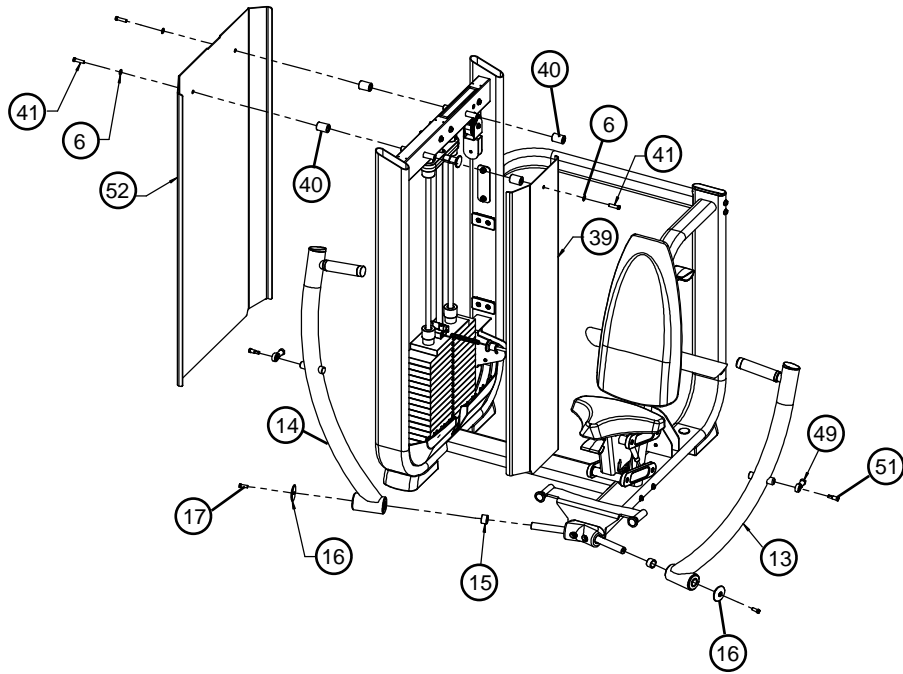


#79 P/N:52058PA-A ASSY, SEAT HOUSING

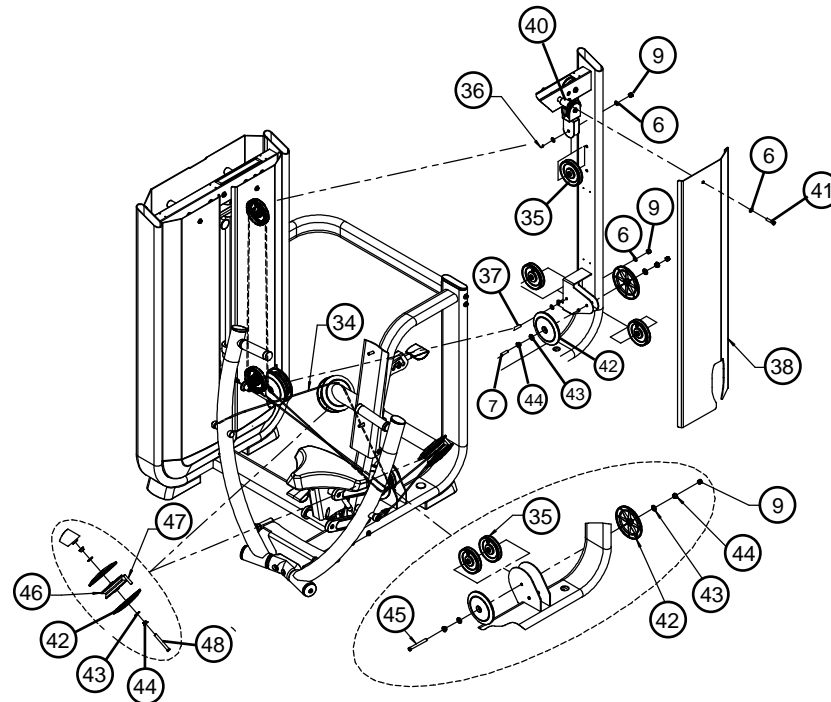
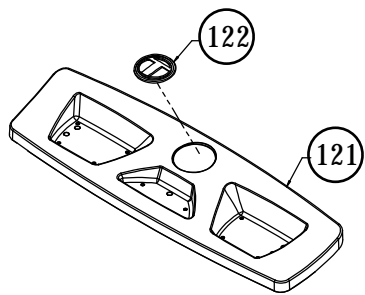


#80 P/N:52062PA-A ASSY, SEAT HANDLE

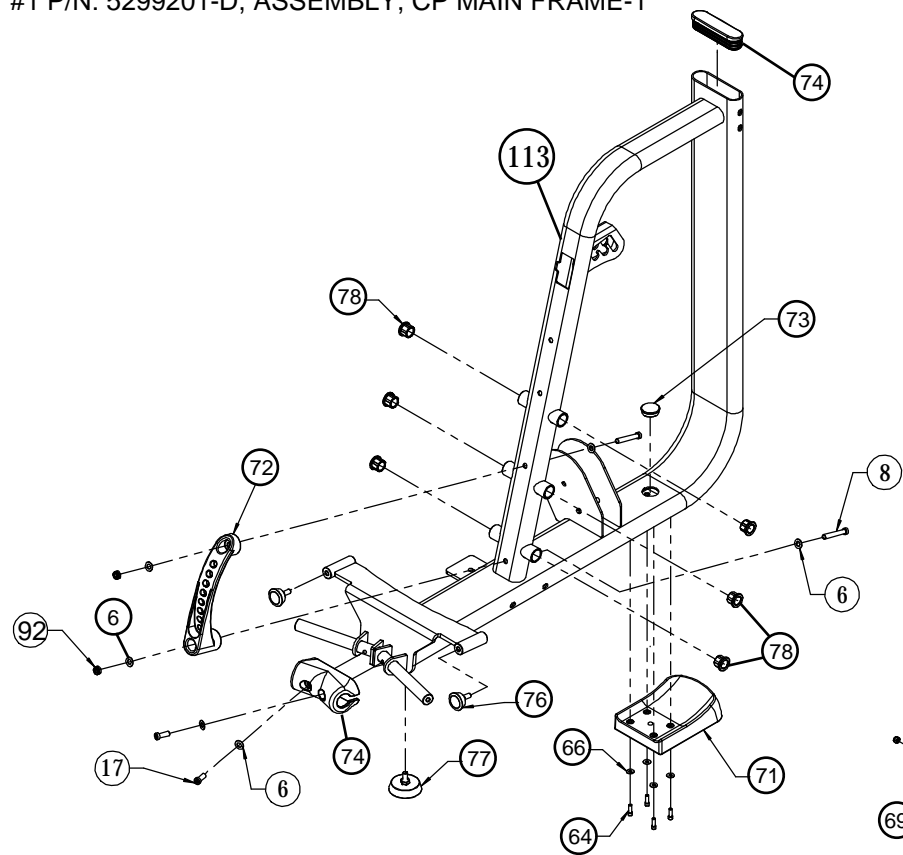




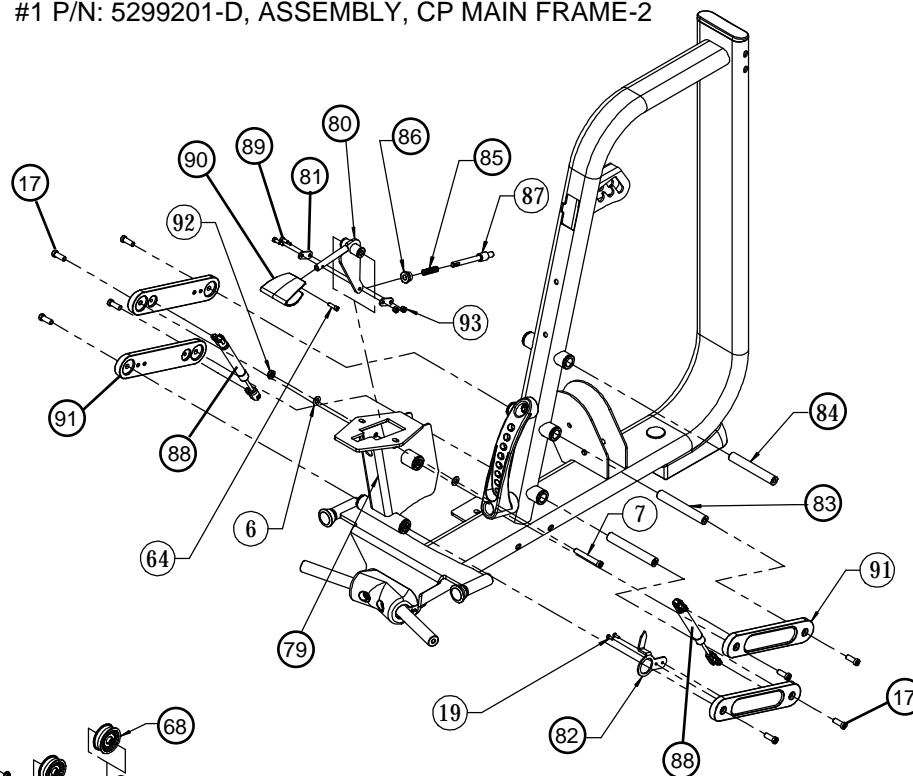
#54 P/N:5294601 ASSY, TOWER CAP



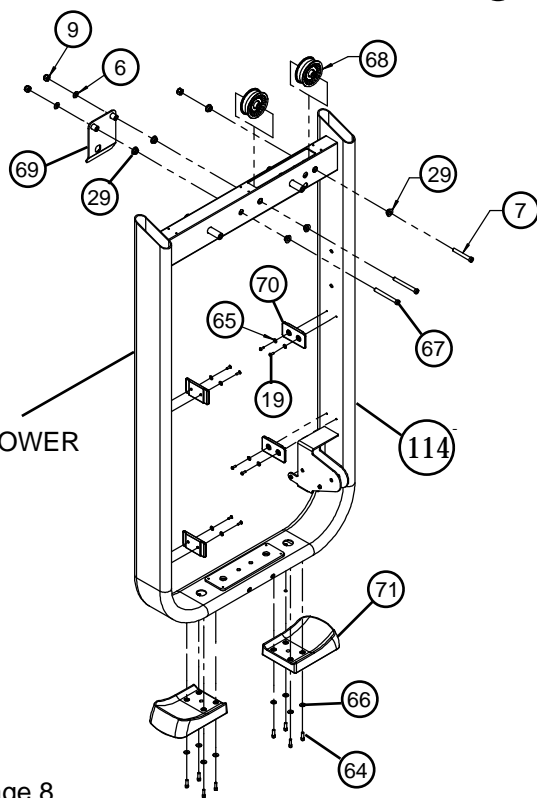
#1 P/N: 5299201-D, ASSEMBLY, CP MAIN FRAME-1



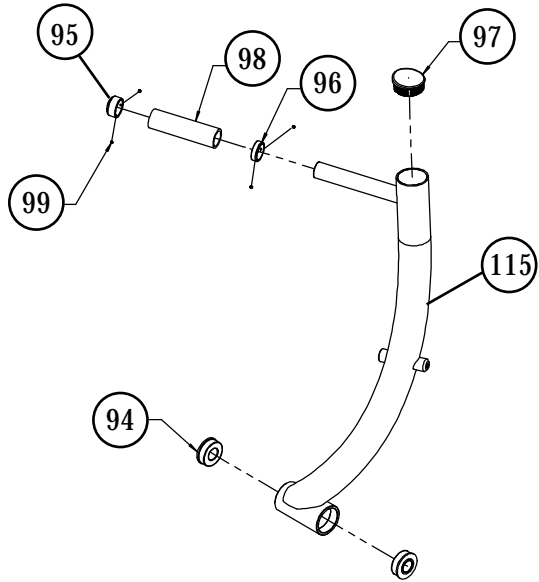
#1 P/N: 5299201-D, ASSEMBLY, CP MAIN FRAME-2



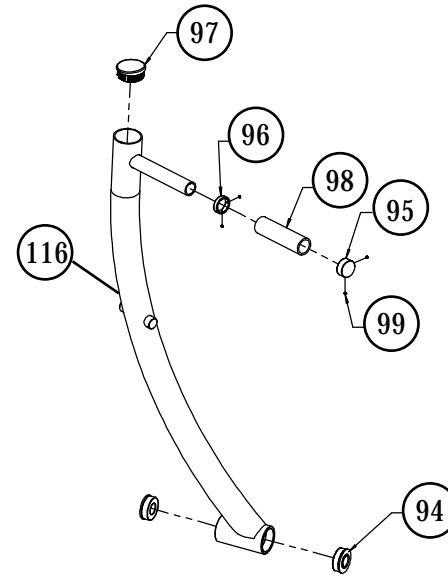
#2 P/N: 52114PA-B,
PTD ASSEMBLY, CP-SP TOWER



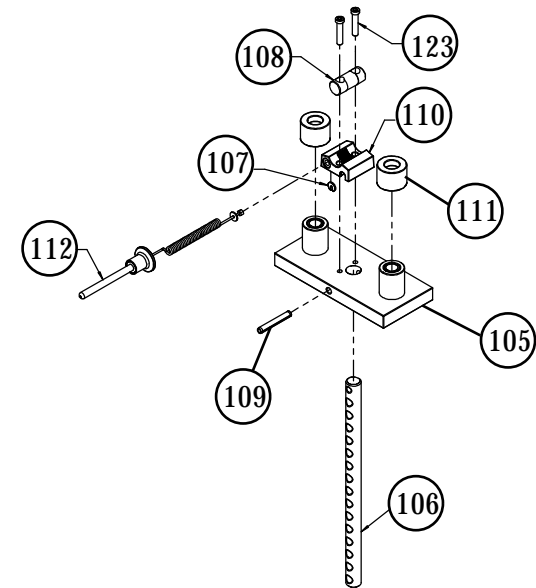
#13 P/N 52152PA-A, PTD ASSY, CP LH PRESS ARM



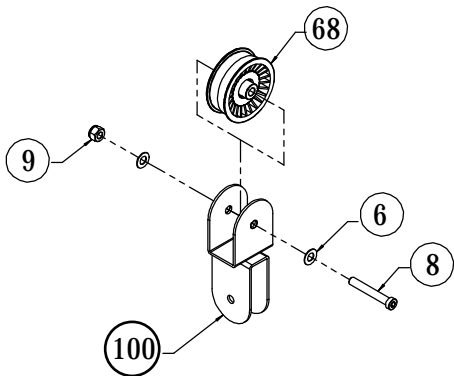
#14 P/N 52153PA-A, PTD ASSY, CP RH PRESS ARM



#22 P/N 5250201-C ASSY, 15LB HEAD PLATE



#28 P/N 52245PA PTD ASSY, BELT-4.5 PULLEY



#23 P/N 5218201-D ASSY, 7.5LB INC. WEIGHT

